



# Technical Specifications

## MOBOTIX Keyboard

### Flexible. Modular. Unique.

Universal USB control panel for operating MOBOTIX VMS systems (MOBOTIX MxMC and MOBOTIX HUB) as well as third party VMS. For controlling MOBOTIX Speeddome and pan/tilt devices. Integrated 3-axis joystick. Integrated jog shuttle. 38 freely definable control buttons with backlight. Integrated alarm buzzer.

- USB keyboard for managing CCTV applications, with joystick and jog shuttle
- Functions determined by the controlled application
- Customizable features
- Personalizable and printable keyboard stencils
- Suitable for left and right handed users
- HID Controller emulation for the use with the most important VMS

# Technical Specifications

Type	Mx-A-KBD1A-PTZ-JOG
General Features	Backlit rubber key Alarm buzzer
Operating system:	Windows® compatible, Linux® compatible
Dimensions	379x89x224mm (15x3.5x8.8in)
Weight	1.4kg (3lb)
Power Supply	USB powered Power consumption: 350mA max
Serial Communication	<ul style="list-style-type: none"><li>▪ USB 2.0</li><li>▪ Dedicated Virtual Com Port protocol</li><li>▪ Joystick HID 4-axis 40 keys emulation</li></ul>
Environment	Indoor usage only
Operating temperature	from 0°C (32°F) up to +45°C (+113°F)
Certificates	EN60950-1, EN62368-1, EN50130-4, EN55022 (Class B), EN61000-6-3, FCC Part 15 (Class B), cULus Listed, EAC, KCn
Accessories	Pre-cut stencil for printing customized masks and protective transparent plastic layer

---

# MOBOTIX Keyboard – Dimensions

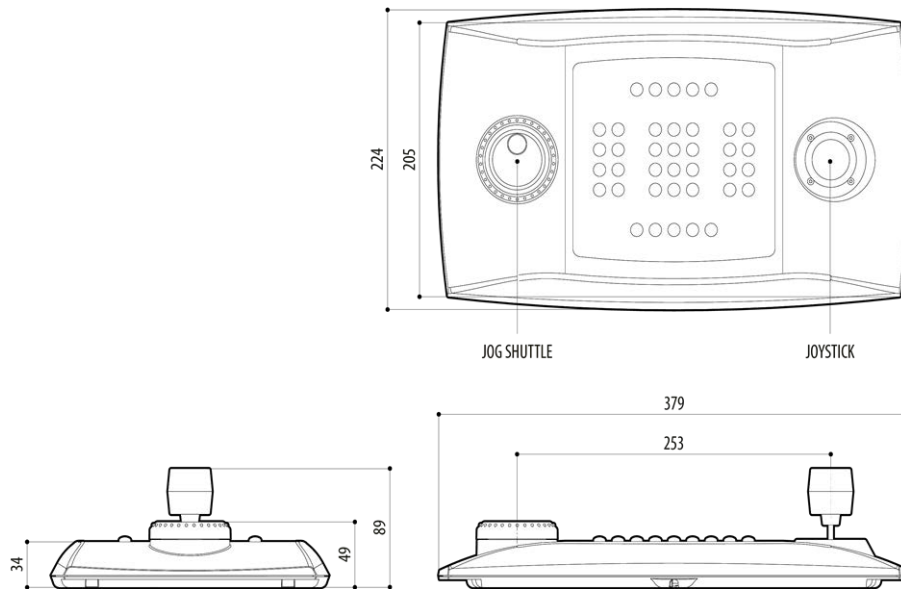


Fig. 1: MOBOTIX Keyboard: All measurements in mm