

DS-KIS7023Y-S Video Intercom Two-Wire Bundle



- 2-wire digital IP video intercom kit for villa or house, 3 call button, stainless steel

Intercom Bundle stainless steel

KIS7023Y-S	1x DS-KD8003Y-IME2/NS, 1x DS-KD-KK/S, 3x DS-KH6320Y-WTE2/White (including 16GB TF card) , 1x DS-KAD706Y, 1x DS-KAW60-2N, front cover with 3 call button and gangbox for flush mount installation
------------	--------------------------------------------------------------------------------------------------------------------------------------------------------------------------------------------------

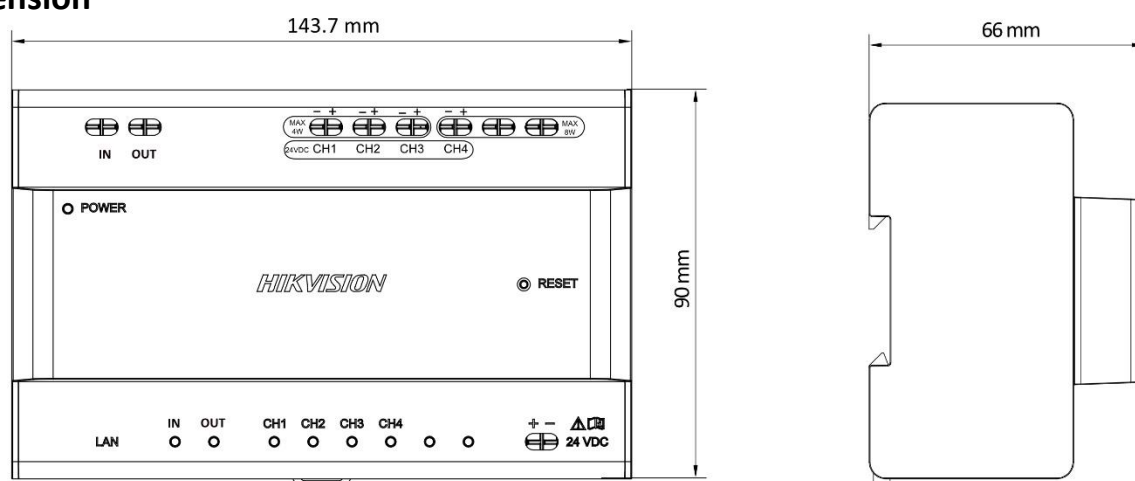
▪ Specification

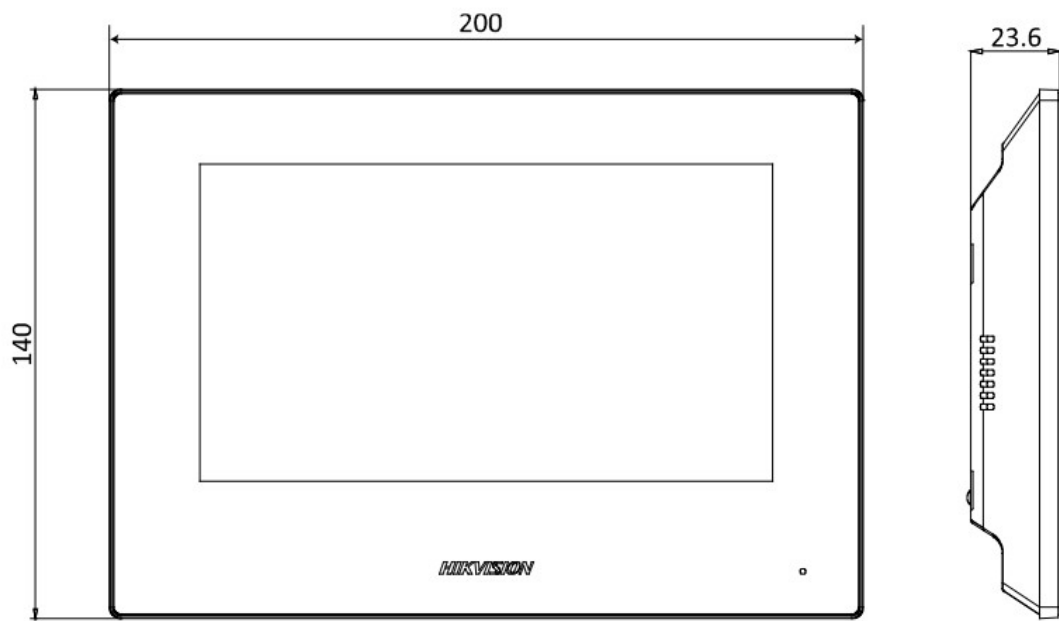
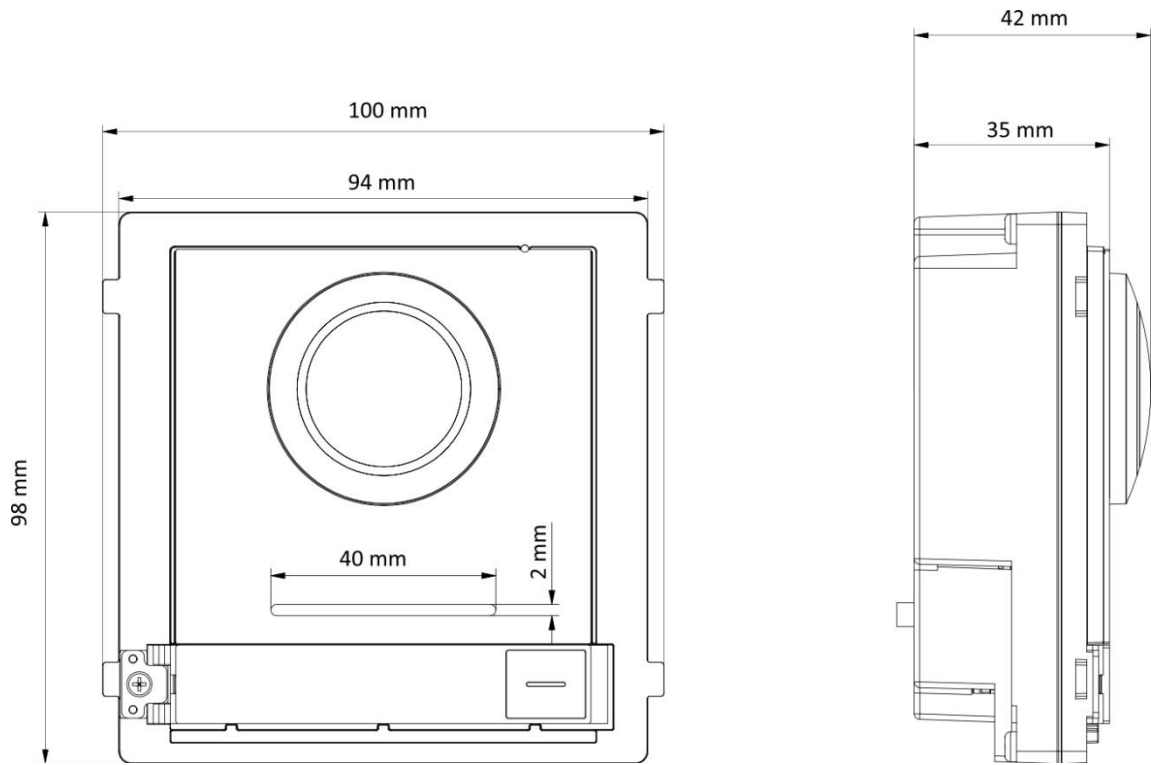
Door station	
System parameters	
Processor	Embedded microcontroller
Operation system	Embedded Linux operation system
Display parameters	
Camera	2MP super definition camera
Resolution	Main stream: 1920 × 1080, (720p configurable); sub stream: 720 × 480
Night vision	Support low light and IR light supplement mode
Backlight compensation	Support
Digital noise reduction	Support
WDR	True WDR
Field of view	Horizontal 146°, vertical 82°
Video Compression Standard	H.264
Stream	Main stream: 1080p@30fps, 720p@30fps (configurable); sub stream: D1
Motion detection	Support
Flash-avoid frequency	50 Hz, 60 Hz
Audio parameters	
Audio input	Built-in omnidirectional microphone
Audio output	Loudspeaker, 20 cm sound effect > 80 db
Audio quality	Noise suppression and echo cancellation
Audio compression standard	G.711 U
Audio compression Rate	64 Kbps
Audio intercom	Full-duplex two-way audio intercom
Device interface	
Debugging port	1
RS-485	1 (1 for Hikvision's sub module communication)
Alarm input	4 (2 exit buttons and 2 door contacts by default)
Lock control	2 (2 relay, max to 30 VDC, 2 A)
TAMPER switch	1
Power interface	Two-wire
General	
Working temperature	-40 °C to 60 °C (-40 °F to 140 °F)
Working humidity	10% to 90%
Dimension	100 mm × 98 mm × 42 mm (3.94" × 7.8" × 1.65")
Installation	Wall mounting
Protection level	IP 65
Power input	Powered by KAD704Y or KAD706Y series distributor
Video Intercom Nametag Module	
System parameters	
Processors	Embedded MCU Processor
Interfaces	
RS-485	2 (1 input, 1 output)

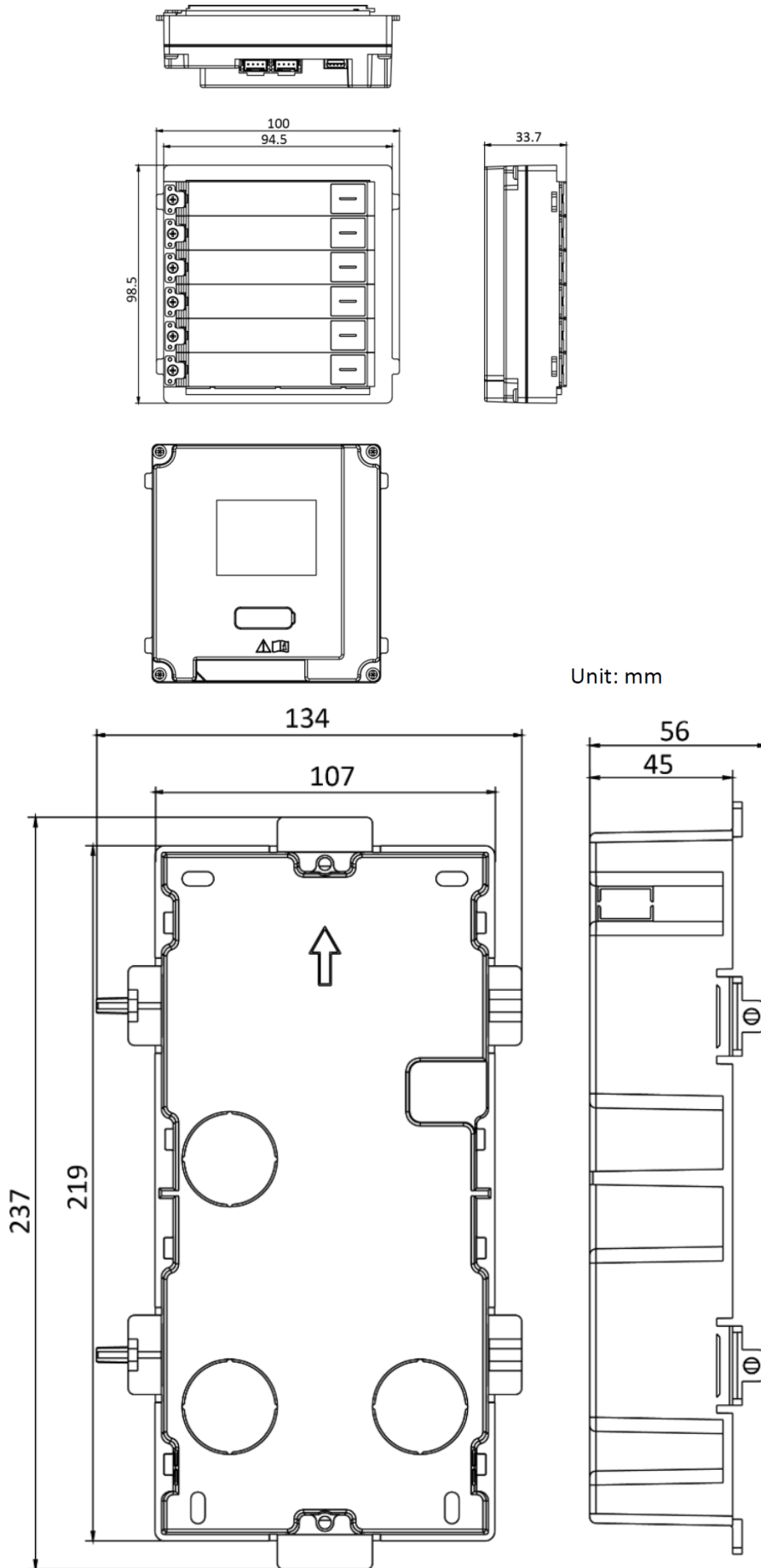
Power interface	1
General	
Power consumption	≤ 2 W
Button	3
Installation	Flush mounting, surface mounting
Protective level	IP65
Working temperature	-40° C to +55° C (-40° F to 131° F)
Working humidity	10% to 95%
Dimension	98,5 mm × 100 mm × 34,2 mm
Power supply	12 VDC (powered for other module)
Indoor station	
System parameters	
Operation system	Embedded Linux operation system
Memory	128 MB
Flash	32 MB
Display parameters	
Display screen	7-inch TFT LCD
Display resolution	1024 × 600
Operation method	Capacitive touch
Audio parameters	
Audio input	Built-in omnidirectional microphone
Audio output	Built-in loudspeaker
Audio quality	Noise suppression and echo cancellation
Volume	Local or software control
Audio compression standard	G.711 U, G.711 A
Audio compression Rate	64 Kbps
Network parameters	
Wired network	Two-wire network
Wireless network	Wi-Fi 802.11b/g/n
Protocol	TCP/IP, SIP, RTSP
Device interface	
Network interface	Two-wire interface
RS-485	1
Alarm input	8 zones alarm input
Relay output	2 (30 V Max.)
TF card	Support, Max. 128 GB
General	
Power supply	Powered by KAD704Y or KAD706Y distributor
Power consumption	≤ 4 W
Working temperature	-10 °C to 50 °C (14 °F to 122 °F)
Working humidity	10% to 90%
Dimensions (W × H × D)	200 mm × 140 mm × 23.6 mm (7.87" × 5.51" × 0.93")

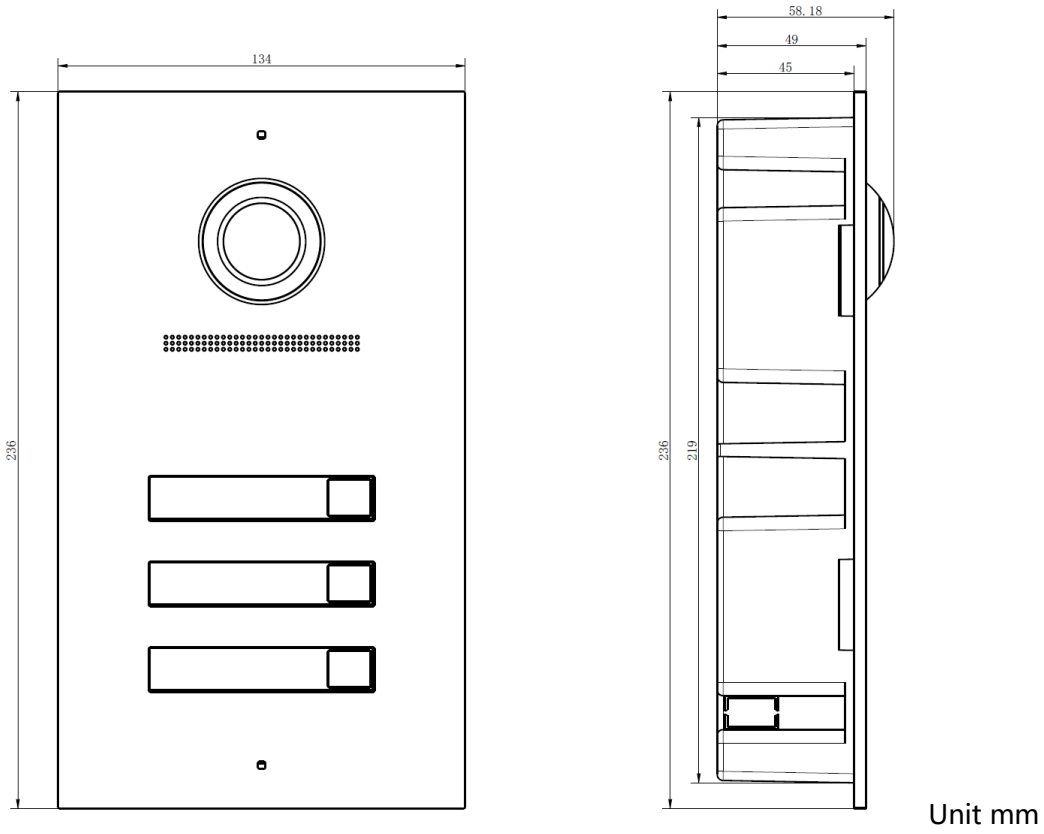
Video Audio Distributor		
Interface		
Network interface	1 RJ45	
Two-wire interface	6 (2 for cascading and 4 for devices)	
Signal indicator	6	
Power indicator	1	
Reset	1	
General		
Power supply	24 VDC	
Power consumption	CH1 to CH5 < 4 W, CH6 < 8 W	
Working temperature	-10 °C to 55 °C (14 °F to 131 °F)	
Working humidity	10% to 90%	
Front Cover and Gang Box		
Parameters	Cover	Gang box
Material	Stainless steel / Stainless steel RAL7016	Plastic
Working temperature	-40° C to +55° C (-40° F to 131° F)	
Working humidity	10% to 95%	
Dimension	134 x 236 x 4 mm	237 x 134 x 56 mm

Dimension

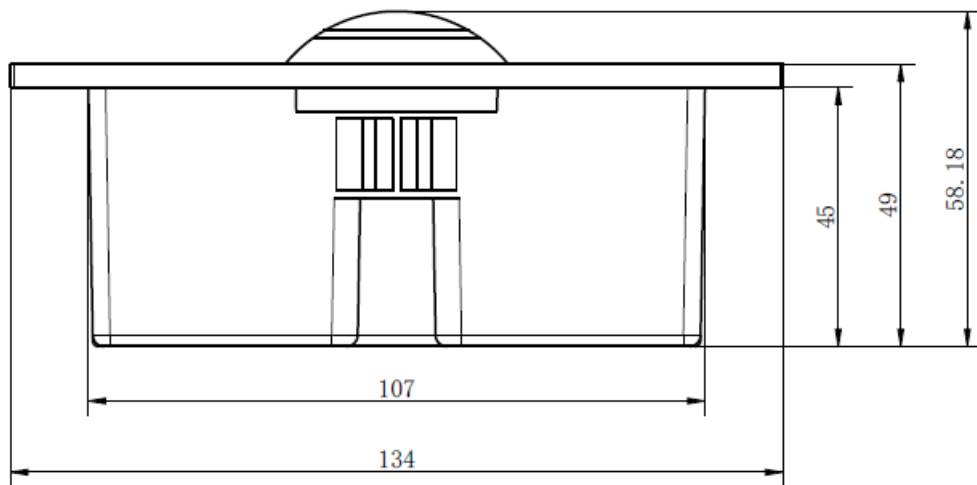









Unit mm



▪ **Accessory**

▪ **Optional**

DS-KAD706Y	DS-KD8003Y-IME2	DS-KH6320Y-WTE2
 A silver, rectangular wall-mounted device with a small screen and several buttons.	 A black, square-shaped device with a lens in the center and a small display at the bottom.	 A black, rectangular device with a large screen displaying a Windows-style interface.

Headquarters

No.555 Qianmo Road, Binjiang District,
Hangzhou 310051, China
T +86-571-8807-5998
www.hikvision.com



Follow us on social media to get the latest product and solution information.



DS-KD8003-IME2/NS

Video Intercom Module Door Station

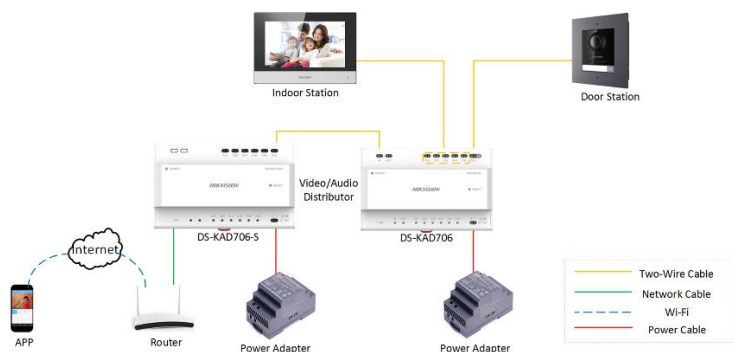
HIKVISION



Key Feature

- Two-pin wire for power supply and network access
- Access control function
- Noise suppression and echo cancellation
- H.264 video compression
- Low illumination
- Tampering alarm
- Fisheye camera with IR supplement light
- Supports sub-modules' access (max. 8)
- Nametag customization
- Easy to and extend

Typical Application



	c. EN 61000-3-3:2013 d. EN 50130-4:2011 +A1:2014
CE-LVD	EN 60950-1:2006 + A11:2009 + A1:2010 + A12:2011 + A2:2013
CB	IEC 60950-1:2005 (Second Edition) + Am 1:2009 + Am 2:2013
FCC-SDOC	47 CFR Part 15, Subpart B
C-TICK(EMC)	AS/NZS CISPR 32:2015
UL	UL 60950-1 & CAN/CSA C22.2 No. 60950-1-07, Information Technology Equipment – Safety – Part 1: General Requirements
ROHS	2011/65/EU
REACH	Regulation (EC) No 1907/2006
WEEE	2012/19/EU

Approval

CE-EMC	a. EN 55032:2015 b. EN 61000-3-2:2014
--------	------------------------------------------

Specification

System parameters	
Processor	Embedded MCU Processor
Operation system	Embedded Linux operation system
Operation method	Physical button
Video Parameters	
Camera	Low illumination 2 MP HD IR camera
Video Compression Standard	H.264
Resolution	Main stream : 1920 × 1080 Sub stream : 720 × 480
Video stream	Main stream: 1080p@30fps, 720p@30fps (configurable); sub stream: D1
BLC	Supported
DNR	Supported
WDR	Supported
Anti-flicker	50 Hz, 60 Hz
Field of view	Horizontal: 180° Vertical: 96°
Motion detection	Supported
Audio parameters	
Audio intercom	Full-duplex two-way audio intercom
Audio input	Built-in omnidirectional microphone
Audio output	Built-in loudspeaker (More than 85 dB within 20 cm)
Audio compression standard	G.711 U
Audio compression Rate	64 Kbps
Audio quality	Noise suppression and echo cancellation
Light supplement	
Light supplement mode	IR supplement
Network parameters	
Wired network interface	Two-wire transmission
Network protocol	TCP/IP, RSTP
Access control	
Relay interface (main module)	2, NO + NC separately draw forth
Interfaces	
Module-connecting	1
Tampering alarm	1
Alarm input	4
Performances	
Card capacity	Max. 10000
User capacity	Max. 2000
Linked Indoor station	Max. 100

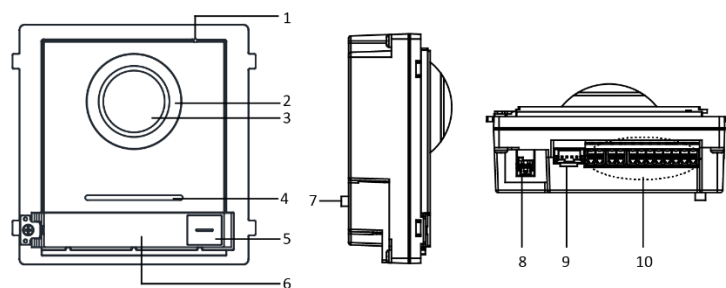
Linked sub door station	Max. 8
Linked doorphone	Max. 8
Protocol	ISAPI, RTSP, STMP, SNMP
Unlock door	Unlock by presenting cards, unlock via Client Software, unlock via App, unlock via indoor station

General	
Protection level	IP 65
Power consumption	4 W
Power input	24 VDC two-wire power supply (< 16 W) or 12 VDC independent power supply (< 20 W)
Power output	12 VDC (only for power supply of submodule)
Working temperature	-40° C to +60° C (-40° F to 140° F)
Working humidity	10% to 95%
Installation	Flush mounting, surface mounting
Dimension	98 mm × 99.8 mm × 43.9 mm (3.86" × 3.93" × 1.73")
Material	Stainless steel

Available Model

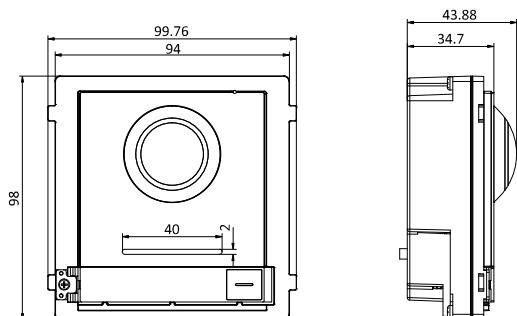
DS-KD8003-IME2/NS

Appearance and Interfaces



No.	Description	No.	Description
1	Microphone	6	Nametag
2	Low Illumination IR Supplement Light	7	TAMPER
3	Built-in Camera	8	Network Interface and Power Supply
4	Loudspeaker	9	Module-connecting Interface (output)
5	Call Button	10	Terminals

Dimension

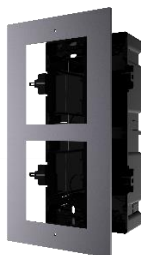


Accessory

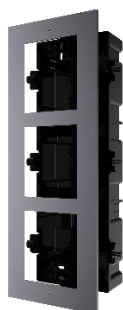
Optional



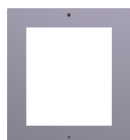
DS-KD-ACF1/Plastic



DS-KD-ACF2/Plastic



DS-KD-ACF3/Plastic



DS-KD-ACW1



DS-KD-ACW2



DS-KD-ACW3



DS-KD-ACF1/S



DS-KD-ACF2/S



DS-KD-ACF3/S



DS-KD-ACW1/S



DS-KD-ACW2/S

DS-KD-ACW3/S

Distributed by



HIKVISION®

Headquarters

No.555 Qianmo Road, Binjiang District,
Hangzhou 310051, China
T +86-571-8807-5998
overseasbusiness@hikvision.com

Hikvision USA
T +1-909-895-0400
sales.usa@hikvision.com

Hikvision Australia
T +61-2-8599-4233
salesau@hikvision.com

Hikvision India
T +91-22-28469900
sales@pramahikvision.com

Hikvision Canada
T +1-866-200-6690
sales.canada@hikvision.com

Hikvision Thailand
T +662-275-9949
sales.thailand@hikvision.com

Hikvision Europe
T +31-23-5542770
sales.eu@hikvision.com

Hikvision Italy
T +39-0438-6902
info.it@hikvision.com

Hikvision Brazil
T +55 11 3318-0050
Latam.support@hikvision.com

Hikvision Turkey
T +90 [216]521 7070- 7074
sales.tr@hikvision.com

Hikvision Malaysia
T +601-7652-2413
sales.my@hikvision.com

Hikvision UK & Ireland
T +01628-902140
sales.uk@hikvision.com

Hikvision South Africa
Tel: +27 (0)1 0351172
sale.africa@hikvision.com

Hikvision France
T +33(0)1-85-330-450
info.fr@hikvision.com

Hikvision Kazakhstan
T +7-727-9730667
nikia.panfilov@hikvision.ru

Hikvision Vietnam
T +84-974270888
sales.vt@hikvision.com

Hikvision UAE
T +971-4-4432090
salesme@hikvision.com

Hikvision Singapore
T +65-6684-4718
sg@hikvision.com

Hikvision Spain
T +34-91-737-16-55
info.es@hikvision.com

Hikvision Tashkent
T +99-87-1238-9438
uzb@hikvision.ru

Hikvision Hong Kong
T +852-2151-1761
info.hk@hikvision.com

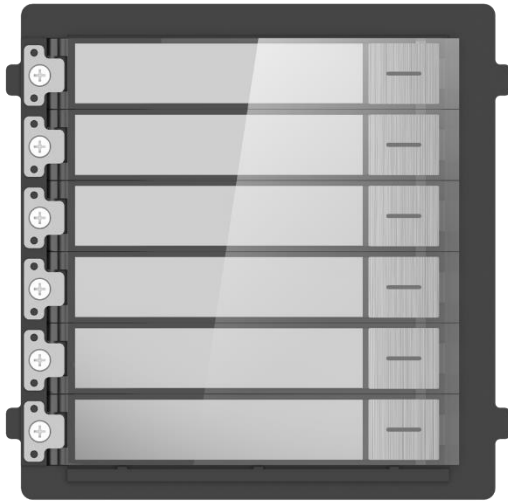
Hikvision Russia
T +7-495-669-67-99
saleru@hikvision.com

Hikvision Korea
T +82-(0)31-731-8817
sales.korea@hikvision.com

Hikvision Poland
T +48-22-460-01-50
info.pl@hikvision.com

Hikvision Indonesia
T +62-21-2933759
Sales.Indonesia@hikvision.com

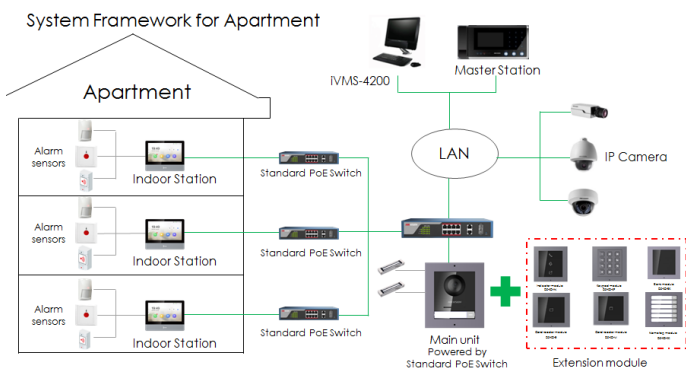
Hikvision Colombia
sales.colombia@hikvision.com



Key Feature

- Modular door station Nametag unit, needs mounting bracket
- 6 call buttons, including 4 button covers; IP65
- Dial the resident at one touch
- Backlight compensation
- Easy to and extend

Typical Application



Approval

CE-EMC	a. EN 55032:2015 b. EN 61000-3-2:2014 c. EN 61000-3-3:2013 d. EN 50130-4:2011 +A1:2014
CE-LVD	EN 60950-1:2006 + A11:2009 + A1:2010 + A12:2011 + A2:2013
CB	IEC 60950-1:2005 (Second Edition) + Am 1:2009 + Am 2:2013
FCC-SDOC	47 CFR Part 15, Subpart B
C-	AS/NZS CISPR 32:2015

TICK(EMC)	
UL	UL 60950-1 & CAN/CSA C22.2 No. 60950-1-07, Information Technology Equipment – Safety – Part 1: General Requirements
ROHS	2011/65/EU
REACH	Regulation (EC) No 1907/2006
WEEE	2012/19/EU

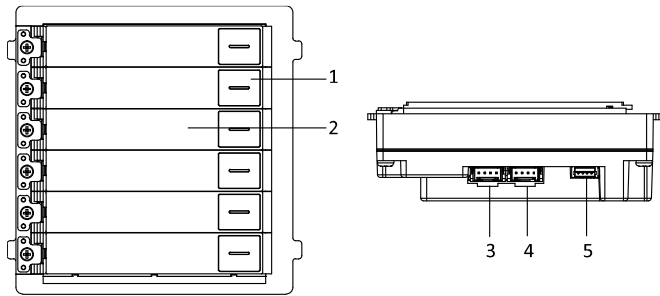
Specification

System parameters	
Processor	Embedded Linux operation system
Network parameters	
Communication protocol	TCP/IP, RTSP
Wired network	10/100 Mbps self-adaptive Ethernet
Interfaces	
RS-485	2
General	
Button	6
Installation	Flush mounting, surface mounting
Weight	529 g (with packaging) 265 g (without packaging)
Protective level	IP65, IK07
Working temperature	-40 °C to +55 °C(-40 °F to 131 °F)
Working humidity	10% to 95%
Dimensions	98.5 mm × 100 mm × 34.2 mm (3.87" × 3.95" × 1.33")
Power supply	12 VDC (powered for other module)
Application environment	Outdoor
Power consumption	0.8W

Available Model

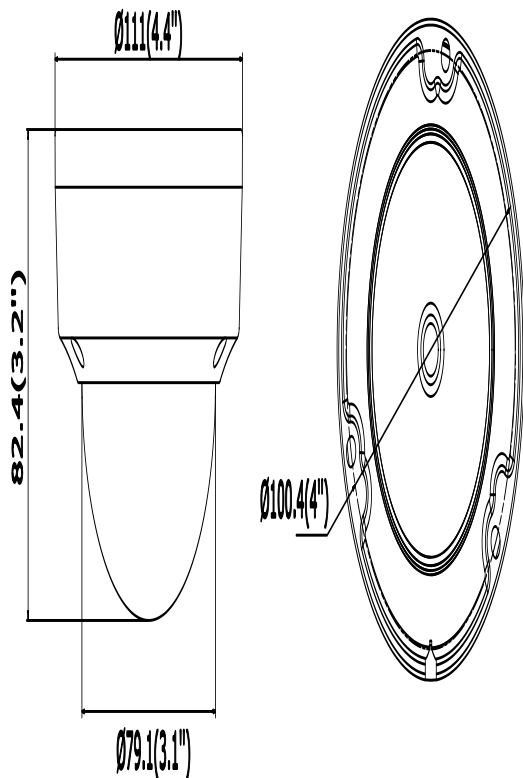
DS-KD-KK/S

Appearance and Interfaces



No.	Description
1	Call Button
2	Nametag
3	Module-connecting Interface (output)
4	Module-connecting Interface (input)
5	Debug Port

Dimension



Unit: mm

Accessory

Optional



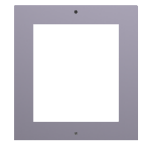
DS-KD-ACF1/Plastic



DS-KD-ACF2/Plastic



DS-KD-ACF3/Plastic



DS-KD-ACW1



DS-KD-ACW2



DS-KD-ACW3



DS-KD-ACF1/S



DS-KD-ACF2/S



DS-KD-ACF3/S



DS-KD-ACW1/S



DS-KD-ACW2/S



DS-KD-ACW3/S

Headquarters

No.555 Qianmo Road, Binjiang District,
Hangzhou 310051, China
T +86-571-8807-5998
www.hikvision.com



Follow us on social media to get the latest product and solution information.





Key Feature

- 7-inch capacitive touch-screen, Wi-Fi
- TF card support, max to 128 G
- 8-ch alarm input, 2 × relay, 1 × RS485
- Remote unlocking via the client or APP
- Views live videos of door stations and linked cameras

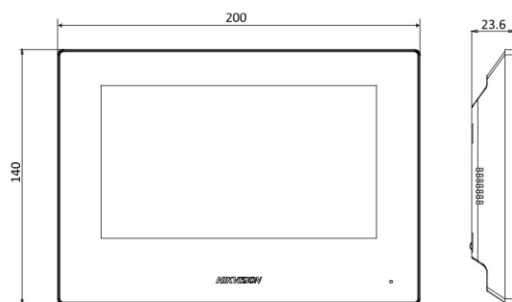
Specification

System parameters	
Operating system	Embedded Linux operation system
ROM	32 MB
RAM	128 MB
CPU	Embedded processor
Display parameters	
Screen size	7-inch
Operation method	Capacitive touch screen
Type	Colorful TFT screen
Resolution	1024 × 600
Video parameters	
Video compression standard	/
Lens	/
FOV	/
WDR	/
Resolution	/
Focal length	/

Audio parameters	
Audio input	Built-in omnidirectional microphone
Audio compression standard	G.711 U G.711 A
Audio output	Buit-in loudspeaker
Audio compression bitrate	64 Kbps
Audio quality	Noise suppression and echo cancellation
Volume adjustment	Adjustable
Capacity	
Event capacity	200 captured pictures (with TF card); 200 alarm records 2 MB RAM (without TF card) reserved for events
Linked network camera capacity	16
Linked indoor extensions capacity	5
Notice capacity	200
Linked doorphone capacity	17 IP doorphones Max.
Network parameters	
Communication protocol	TCP/IP, SIP, RTSP
Wired network	10/100 Mbps self-adaptive through 2-wire interface

Wi-Fi standard	Wi-Fi 802.11 b/g/n
Bluetooth version	/
3G/4G standard	/
3G/4G standard	/
Zigbee	/
Zigbee	/
Device interfaces	
Alarm input	8-ch alarm inputs
TAMPER	/
RS-485	1
USB	/
TF card	Max to 128 G, SD 2.0 or lower version
Alarm output	2 relays (30 V Max.)
Two-wire interface	IP 1
General	
Button	0
Installation	Surface mounting
Indicator	0
Weight	327 g
Protective level	/
Power supply method	Two-wire
Working temperature	-10 ° C to 50 ° C (14 ° F to 122 ° F)
Working humidity	10% to 90% (no-condensing)
Dimensions	200 mm × 140 mm × 23.6 mm (7.87" × 5.51" × 0.93")
Battery	/
Power supply	Powered by KAD704Y or KAD706Y series distributor
Application environment	Indoor
Power consumption	≤ 4 W
Language	English, French, Portuguese (Brazil), Spanish, Russian, German, Italian, Polish, Arabic, Turkish, Vietnamese, Hungarian, Dutch, Romanian, Czech, Bulgarian, Ukrainian, Croatian, Serbian, Greek, Portuguese, Slovak

Dimension



unit: mm

Accessory

Include

DS-KAD706Y-P Two wire controllers

Optional

DS-KABH6320-T Indoor Station Table Bracket

Available Model

DS-KH6320Y-WTE2

Headquarters

No.555 Qianmo Road, Binjiang District,
Hangzhou 310051, China
T +86-571-8807-5998
www.hikvision.com



Follow us on social media to get the latest product and solution information.





Key Feature

- 2-wire IP distributor
- 6 2-wire cascade interfaces with device power supply
- 2 cascade interfaces for DS-KAD706Y / DS-KAD706Y-S
- 8 interface indicators, 1 RJ-45 Interface, 1 Reset button
- Din rail mounting, 24VDC

Specification

Device interfaces

Network interface	1 RJ45
Two-wire interface	8 (2 for cascading, 6 for devices)
Signal indicator	8
Power indicator	1
Reset	1

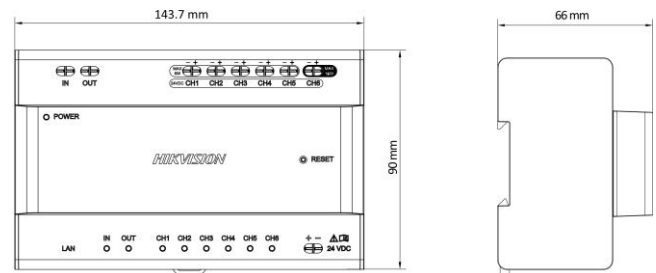
General

Power supply	24 VDC
Power consumption	CH1 to CH5 < 6 W, CH6 < 16 W
Working temperature	-10 ° C to 55 ° C (14 ° F to 131 ° F)
Working humidity	10% to 90%

Available Model

DS-KAD706Y

Dimension



Headquarters

No.555 Qianmo Road, Binjiang District,
Hangzhou 310051, China
T +86-571-8807-5998
www.hikvision.com



Follow us on social media to get the latest product and solution information.



DS-KAW60-2N Power Adapter



Key Feature

- Ultrathin design: 53.5 mm
- International general input: 85 to 264 VAC
- No-load loss of 0.3 W
- LPS passed (limited power source)
- LED light for indicating power status
- Installed on DIN rail TS35 / 7.5 or 15

Specification

Model	DS-KAW60-2N	
Interface	Power indicator	1
General	Power supply	85 to 264 VAC
	Power output	24 VDC
	Power consumption	60 W
	Working temperature	-30 °C to 70 °C (-22 °F to 158 °F)
	Working humidity	20% to 90%
	Dimension (W × H × D)	52.5 mm × 90 mm × 54.5 mm (2.07" × 3.54" × 2.15")



Available Model

DS-KAW60-2N

Distributed by

**HIKVISION®****Headquarters**

No.555 Qianmo Road, Binjiang District,
Hangzhou 310051, China
T +86-571-8807-5998
overseasbusiness@hikvision.com

Hikvision USA
T +1-909-895-0400
sales.usa@hikvision.com

Hikvision Australia
T +61-2-8599-4233
salesau@hikvision.com

Hikvision India
T +91-22-28469900
sales@pramahikvision.com

Hikvision Canada
T +1-866-200-6690
sales.canada@hikvision.com

Hikvision Thailand
T +662-275-9949
sales.thailand@hikvision.com

Hikvision Europe
T +31-23-5542770
sales.eu@hikvision.com

Hikvision Italy
T +39-0438-6902
info.it@hikvision.com

Hikvision Brazil
T +55 11 3318-0050
Latam.support@hikvision.com

Hikvision Turkey
T +90 (216)521 7070- 7074
sales.tr@hikvision.com

Hikvision Malaysia
T +601-7652-2413
sales.my@hikvision.com

Hikvision UK & Ireland
T +01628-902140
sales.uk@hikvision.com

Hikvision South Africa
Tel: +27 (10) 0351172
sale.africa@hikvision.com

Hikvision France
T +33(0)1-85-330-450
info.fr@hikvision.com

Hikvision Kazakhstan
T +7-727-9730667
nikia.panfilov@hikvision.ru

Hikvision Vietnam
T +84-974270888
sales.vt@hikvision.com

Hikvision UAE
T +971-4-4432090
salesme@hikvision.com

Hikvision Singapore
T +65-6684-4718
sg@hikvision.com

Hikvision Spain
T +34-91-737-16-55
info.es@hikvision.com

Hikvision Tashkent
T +99-87-1238-9438
uzb@hikvision.ru

Hikvision Hong Kong
T +852-2151-1761
info.hk@hikvision.com

Hikvision Russia
T +7-495-669-67-99
saleru@hikvision.com

Hikvision Korea
T +82-(0)31-731-8817
sales.korea@hikvision.com

Hikvision Poland
T +48-22-460-01-50
info.pl@hikvision.com

Hikvision Indonesia
T +62-21-2933759
Sales.Indonesia@hikvision.com

Hikvision Colombia
sales.colombia@hikvision.com