

## DS-2XC6685G0-IZHRS 8 MP Anti-Corrosion Network Bullet Camera



- 316L stainless steel enclosure, protecting cameras to be used in corrosive environments, providing reliability and longevity compared to standard cameras
- A built-in wiper removes water and dust on the screen and ensures clear images when the camera is used in dusty or damp environments
- IP67 water resistant, preventing water ingress for outdoor use
- H.265+/H.265/H.264+/H.264 encoding: efficient compression technology saves storage space and reduces bandwidth requirements



## ▪ Specification

| Camera                      |  |
|-----------------------------|--|
| Image Sensor                | 1/2" Progressive Scan CMOS   |
| Shutter Speed               | 1/3 s to 1/100,000 s   |
| Min. Illumination           | Color: 0.002 Lux @(F1.2, AGC ON)<br>B/W: 0.0002 Lux @(F1.2, AGC ON), 0 Lux with IR   |
| Slow Shutter                | Yes  |
| P/N                         | P/N  |
| Wide Dynamic Range          | 120 dB   |
| Day & Night                 | IR cut filter  |
| Lens                        |  |
| Focus                       | Auto, semi-auto, manual  |
| Lens Type                   | Motorized focal length, 2.8 to 12 mm, 8 to 32 mm   |
| Focal Length & FOV          | 2.8 to 12 mm, F1.4: horizontal field of view, 94.8° to 38.2°<br>8 to 32 mm, F1.4: horizontal field of view, 41.8° to 14.9°   |
| Illuminator                 |  |
| IR Wavelength               | 850 nm   |
| IR Range                    | 2.8~12 mm: 80 m, 8~32 mm: 150 m  |
| Video                       |  |
| Max. Resolution             | 3840 × 2160  |
| Main Stream                 | 50 Hz: 20fps (3840 × 2160, 3072 × 1728), 25fps (2688 × 1520, 1920 × 1080, 1280 × 720 )<br>60 Hz: 20fps (3840 × 2160, 3072 × 1728), 30 fps (2688 × 1520, 1920 × 1080, 1280 × 720) |
| Sub-Stream                  | 50 Hz: 25 fps (640 × 480, 640 × 360, 320 × 240)<br>60 Hz: 30fps (640 × 480, 640 × 360, 320 × 240)  |
| Third Stream                | 50 Hz: 25 fps (1280 × 720, 640 × 480, 640 × 360, 320 × 240)<br>60 Hz: 30 fps (1280 × 720, 640 × 480, 640 × 360, 320 × 240)   |
| Video Compression           | Main stream: H.265/H.264<br>Sub stream: H.265/H.264/MJPEG<br>Third stream: H.265/H.264   |
| Video Bit Rate              | 32 Kbps~8Mbps  |
| H.264 Type                  | BaseLine Profile/Main Profile/High Profile   |
| H.265 Type                  | Main Profile   |
| H.264+                      | Main stream supports   |
| H.265+                      | Main stream supports   |
| Bit Rate Control            | CBR, VBR   |
| Scalable Video Coding (SVC) | H.265 and H.264 support  |
| Region of Interest (ROI)    | 1 fixed regions for main stream and sub-stream   |
| Audio                       |  |
| Environment Noise Filtering | Yes  |
| Audio Sampling Rate         | 8 kHz/16 kHz/32 kHz/44.1 kHz/48 kHz  |
| Audio Compression           | G.711/G.722.1/G.726/MP2L2/PCM/AAC/MP3  |

|                         |   |
|-------------------------|---|
| Audio Bit Rate          | 64Kbps(G.711)/16Kbps(G.722.1)/16Kbps(G.726)/32-192Kbps(MP2L2)/8Kbps-320Kbps(MP3)  |
| Audio Type              | Mono sound  |
| <b>Network</b>          |   |
| Simultaneous Live View  | Up to 6 channels  |
| API                     | Open Network Video Interface, ISAPI, SDK, Ehome   |
| Protocols               | TCP/IP, ICMP, HTTP, HTTPS, FTP, SFTP, DHCP, DNS, DDNS, RTP, RTSP, RTCP, PPPoE, NTP, UPnP, SMTP, SNMP, IGMP, 802.1X, QoS, IPv6, UDP, SSL/TLS   |
| User/Host               | Up to 32 users. 3 user levels: administrator, operator and user   |
| Network Storage         | MicroSD/SDHC/SDXC card (256 GB) local storage, and NAS(NFS, SMB/CIFS), auto network replenishment (ANR)<br>Together with high-end Hikvision memory card, memory card encryption and health detection are supported. |
| Client                  | iVMS-4200, Hik-Connect, Hik-Central   |
| Web Browser             | Plug-in required live view: IE8+, Chrome41.0~44, Firefox30.0~51, Safari8.0~11<br>Plug-in free live view: Chrome45.0+, Firefox52.0+<br>Local service: Chrome 57.0+, Firefox 52.0+Not recommended: Safari 11+, Edge   |
| <b>Image</b>            |   |
| Smart IR                | The IR LEDs on camera should support Smart IR function to automatically adjust power to avoid image overexposure.   |
| Day/Night Switch        | Day, Night, Auto, Schedule  |
| Target Cropping         | Yes   |
| Image Enhancement       | BLC, HLC, 3D DNR, Defog, EIS  |
| Image Parameters Switch | Yes   |
| Image Settings          | Rotate mode, saturation, brightness, contrast, sharpness, gain, white balance adjustable by client software or web browser  |
| SNR                     | ≥ 50db  |
| Privacy Mask            | Yes   |
| <b>Interface</b>        |   |
| Video Output            | 1Vp-p composite output (75 Ω/BNC)   |
| Ethernet Interface      | RJ45 10M/100M self-adaptive Ethernet port   |
| On-Board Storage        | Built-in microSD/SDHC/SDXC slot, up to 256 G  |
| Alarm                   | 1 input, 1 output   |
| Hardware Reset          | Yes   |
| Heater                  | Yes   |
| Wiper                   | Yes   |
| <b>Event</b>            |   |
| Smart Event             | Line crossing detection, intrusion detection, region entrance detection, region exiting detection, unattended baggage detection, object removal detection, scene change detection, defocus detection                |
| Exception Detection     | Network disconnected, IP address conflict, illegal login, HDD full, HDD error   |
| <b>General</b>          |   |
| Camera Dimension        | 179.9 mm × 203.2 mm × 472 mm (7.08" × 8" × 18.58")  |
| Camera Weight           | 10.95 kg (24.14 lb.)  |

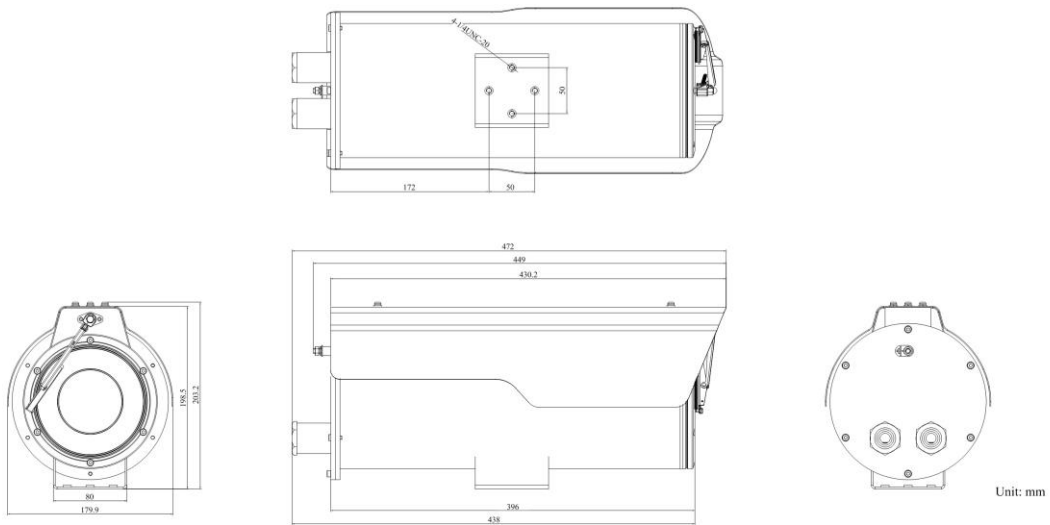
|                                  |   |
|----------------------------------|---|
| Linkage Method                   | Upload to FTP/NAS/memory card, notify surveillance center, send email, trigger alarm output, trigger recording, trigger capture   |
| Power Consumption and Current    | AC 24V: 24V ~ , 1.7A, 50/60Hz, 40W<br>PoE: (802.3at, 42.5V-57V), 0.57 A to 0.43 A, Max: 24W   |
| Power Supply                     | AC: 24V±20%; PoE: 802.3at   |
| Startup and Operating Conditions | -40 °C to +60 °C (-40 °F to +140 °F), Humidity 95% or less (non-condensing)   |
| Online Upgrade                   | Yes   |
| Firmware Version                 | 5.5.153   |
| General Function                 | Anti-flicker, heartbeat, mirror, privacy masks, flash log, password reset via e-mail, pixel counter   |
| Software Reset                   | Yes   |
| <b>Approval</b>                  |   |
| EMC                              | 47 CFR Part 15, Subpart B; EN 55032: 2015, EN 61000-3-2: 2014, EN 61000-3-3: 2013, EN 50130-4: 2011 +A1: 2014; AS/NZS CISPR 32: 2015; ICES-003: Issue 6, 2016; KN 32: 2015, KN 35: 2015   |
| Safety                           | UL 60950-1, IEC 60950-1:2005 + Am 1:2009 + Am 2:2013, EN 60950-1:2005 + Am 1:2009 + Am 2:2013, IS 13252(Part 1):2010+A1:2013+A2:2015  |
| Environment                      | 2011/65/EU, 2012/19/EU, Regulation (EC) No 1907/2006  |
| Protection                       | IP67  |
| Anti-Corrosion Protection        | NEMA 4X<br>C5-M: 720H neutral salt spray, 480H water condensation;<br>Exterior environments: industrial areas with high humidity and aggressive atmosphere and coastal areas with high salinity;<br>Interior environments: buildings or areas with almost permanent condensation and with high pollution. |

*\*You are recommended to purchase memory card together with the product if needed. After ordering, the memory card will be installed to product during manufacturing.*

## ▪ Available Model

DS-2XC6685G0-IZHRS

## ▪ Dimension



- Accessory
- Optional

| <b>DS-1701ZJ-AC1(O<br/>S)<br/>Wall mount</b>  | <b>DS-1214ZJ-AC(OS<br/>)<br/>Horizontal pole<br/>mount</b>                          |
|---|---|
|  |  |

Distributed by

**HIKVISION****Headquarters**

No.555 Qianmo Road, Binjiang District,  
Hangzhou 310051, China  
T +86-571-8807-5998  
overseasbusiness@hikvision.com

**Hikvision USA**  
T +1-909-895-0400  
sales.usa@hikvision.com

**Hikvision Australia**  
T +61-2-8599-4233  
salesau@hikvision.com

**Hikvision India**  
T +91-22-28469900  
sales@pramahikvision.com

**Hikvision Canada**  
T +1-866-200-6690  
sales.canada@hikvision.com

**Hikvision Thailand**  
T +662-275-9949  
sales.thailand@hikvision.com

**Hikvision Europe**  
T +31-23-5542770  
sales.eu@hikvision.com

**Hikvision Italy**  
T +39-0438-6902  
info.it@hikvision.com

**Hikvision Brazil**  
T +55 11 3318-0050  
Latam.support@hikvision.com

**Hikvision Turkey**  
T +90 (216)521 7070- 7074  
sales.tr@hikvision.com

**Hikvision Malaysia**  
T +601-7652-2413  
sales.my@hikvision.com

**Hikvision UK & Ireland**  
T +01628-902140  
sales.uk@hikvision.com

**Hikvision South Africa**  
Tel: +27 (10) 0351172  
sale.africa@hikvision.com

**Hikvision France**  
T +33(0)1-85-330-450  
info.fr@hikvision.com

**Hikvision Kazakhstan**  
T +7-727-9730667  
nikia.panfilov@hikvision.ru

**Hikvision Vietnam**  
T +84-974270888  
sales.vt@hikvision.com

**Hikvision UAE**  
T +971-4-4432090  
salesme@hikvision.com

**Hikvision Singapore**  
T +65-6684-4718  
sg@hikvision.com

**Hikvision Spain**  
T +34-91-737-16-55  
info.es@hikvision.com

**Hikvision Tashkent**  
T +99-87-1238-9438  
uzb@hikvision.ru

**Hikvision Hong Kong**  
T +852-2151-1761  
info.hk@hikvision.com

**Hikvision Russia**  
T +7-495-669-67-99  
saleru@hikvision.com

**Hikvision Korea**  
T +82-(0)31-731-8817  
sales.korea@hikvision.com

**Hikvision Poland**  
T +48-22-460-01-50  
info.pl@hikvision.com

**Hikvision Indonesia**  
T +62-21-2933759  
Sales.Indonesia@hikvision.com

**Hikvision Colombia**  
sales.colombia@hikvision.com