

## DS-2DF7232IX-AEL (T3) 2 MP 32 × Network IR Speed Dome

DarkFighter



Hikvision DS-2DF7232IX-AEL 2 MP 32 × Network IR Speed Dome adopts 1/2.8" progressive scan CMOS chip. With the 32 × optical zoom lens, the camera offers more details over expansive areas.

This series of cameras can be widely used for wide ranges of high-definition, such as the rivers, forests, roads, railways, airports, ports, squares, parks, scenic spots, stations and large venues.

- 1/2.8" progressive scan CMOS
- Up to 1920 × 1080 resolution
- Min. illumination  
Color: 0.002 Lux @(F1.2, AGC ON)  
B/W: 0.0002 Lux @(F1.2, AGC ON)  
0 Lux with IR
- 32 × optical zoom, 16 × digital zoom
- 120dB WDR, 3D DNR, HLC, Smart IR
- 24 VAC & Hi-PoE
- Up to 300 m IR distance
- Support H.265+/H.265 video compression
- Deep-learning-based target classification algorithm for auto-tracking 2.0 and perimeter protection
- Support face capture to detect, track, capture, grade, and select face in motion
- Support road traffic to detect vehicles, including license plate number, vehicle model, and vehicle color
- Rapid focus
- IP66



## Specifications

Camera Module	
Image Sensor	1/2.8" progressive scan CMOS
Min. Illumination	Color: 0.002 Lux @(F1.2, AGC ON) B/W: 0.0002 Lux @(F1.2, AGC ON) 0 Lux with IR
White Balance	Auto/Manual/ATW (Auto-tracking White Balance)/Indoor/Outdoor/Fluorescent Lamp/Sodium Lamp
Shutter Time	1 to 1/30,000 s
Day & Night	IR Cut Filter
Digital Zoom	16 ×
Privacy Mask	Up to 24 masks, polygon region, mosaic mask, mask color configurable
Focus Mode	Auto/Semi-automatic/Manual
3D DNR	Yes
BLC	Yes
HLC	Yes
WDR	120 dB
Defog	Yes
EIS	Yes
Regional Exposure	Yes
Regional Focus	Yes
Rapid Focus	Yes
Lens	
Focal Length	4.8 to 153 mm, 32 × optical zoom
Zoom Speed	Approx. 5.6 s (optical lens, wide-tele)
Field of View	Horizontal field of view: 58.4° to 2.14° (wide-tele) Vertical field of view: 33.8° to 1.2° (wide-tele) Diagonal field of view: 65.6° to 2.46° (wide-tele)
Aperture	F1.2-4.4
PTZ	
Movement Range (Pan)	360° endless
Pan Speed	Configurable, from 0.1°/s to 210°/s Preset speed: 280°/s
Movement Range (Tilt)	From -15° to 90° (auto flip)
Tilt Speed	Configurable, from 0.1°/s to 150°/s Preset speed: 250°/s
Proportional Zoom	Yes
Presets	300
Patrol Scan	8 patrols
Pattern	4 pattern scans
Power-off Memory	Yes

Park Action	Preset/Pattern Scan/Patrol Scan/Auto Scan/Tilt Scan/Random Scan/Frame Scan/Panorama Scan
3D Positioning	Yes
PTZ Status Display	Yes
Preset Freezing	Yes
Scheduled Task	Preset/Pattern Scan/Patrol Scan/Auto Scan/Tilt Scan/Random Scan/Frame Scan/Panorama Scan/Dome Reboot/Dome Adjust/Aux Output
<b>Smart Features</b>	
Face Capture	Support detecting up to 30 faces at the same time. Support detecting, tracking, capturing, grading, selecting of face in motion, and output the best face picture of the face.
Road Traffic	Support vehicle detection (license plate number, vehicle model, and vehicle color recognition)
Basic Event	Audio exception detection, motion detection, alarm input and output
Smart Event	Intrusion detection, line crossing detection, region entrance detection, region exiting detection, unattended baggage detection, object removal detection
Smart Tracking	Manual tracking, auto tracking (support tracking specified target types such as human and vehicle), event tracking
Alarm Linkage	Preset, patrol scan, pattern scan, memory card video recording, sending email, notify surveillance center, upload to FTP, NAS video recording
Smart Record	ANR (Automatic Network Replenishment), Dual-VCA
ROI	dynamic face tracking, dynamic license plate tracking, dynamic target tracking
Perimeter Protection	Line crossing, intrusion, region entrance, region exiting Support alarm triggering by specified target types (human and vehicle)
<b>IR</b>	
IR Distance	300 m
Smart IR	Yes
<b>Image</b>	
Max. Resolution	1920 × 1080
Main Stream	50Hz: 25fps (1920 × 1080, 1280 × 960, 1280 × 720) 60Hz: 30fps (1920 × 1080, 1280 × 960, 1280 × 720)
Sub-Stream	50Hz: 25fps (704 × 576, 640 × 480, 352 × 288) 60Hz: 30fps (704 × 480, 640 × 480, 352 × 240)
Third Stream	50Hz: 25fps (1920 × 1080, 1280 × 960, 1280 × 720, 704 × 576, 640 × 480, 352 × 288) 60Hz: 30fps (1920 × 1080, 1280 × 960, 1280 × 720, 704 × 480, 640 × 480, 352 × 240)
SVC	Yes
Video Compression	H.265/H.264/MJPEG
H.264 Type	baseline profile, main profile, high profile
H.265 Type	main profile
H.264+	Yes
H.265+	Yes
Audio Compression	G.711alaw/G.711ulaw/G.722.1/G.726/MP2L2/PCM

Network	
Network Storage	Built-in memory card slot, support Micro SD/Micro SDHC/Micro SDXC, up to 256 GB; NAS (NFS, SMB/ CIFS), ANR
Protocols	IPv4/IPv6, HTTP, HTTPS, 802.1x, Qos, FTP, SMTP, UPnP, SNMP, DNS, DDNS, NTP, RTSP, RTCP, RTP, TCP/IP, DHCP, PPPoE, UDP, IGMP, ICMP, Bonjour
API	ONVIF (Profile S, Profile G, Profile T), ISAPI, SDK
Simultaneous Live View	Up to 20 channels
User/Host	Up to 32 users. 3 user levels: administrator, operator and user
Security Measures	User authentication (ID and PW), Host authentication (MAC address); HTTPS encryption; IEEE 802.1x port-based network access control; IP address filtering
Client	iVMS-4200, Hik-Connect, HikCentral
Web Browser	IE 8 to 11, Chrome 31.0+, Firefox 30.0+, Safari 11+
Interface	
Alarm	7-ch alarm input/2-ch alarm output
Audio	1-ch audio input, 2.0 to 2.4Vp-p, 1k Ohm $\pm$ 10% 1-ch audio output , line level, impedance: 600 $\Omega$
Network Interface	RJ45, self-adaptive 10 M/100 M Ethernet interface
RS-485	Half duplex, HIKVISION, Pelco-P, Pelco-D, self-adaptive
BNC	1.0 V [p-p]/75 $\Omega$ , NTSC (or PAL) composite
General	
Language	32 languages. English, Russian, Estonian, Bulgarian, Hungarian, Greek, German, Italian, Czech, Slovak, French, Polish, Dutch, Portuguese, Spanish, Romanian, Danish, Swedish, Norwegian, Finnish, Croatian, Slovenian, Serbian, Turkish, Korean, Traditional Chinese, Thai, Vietnamese, Japanese, Latvian, Lithuanian, Portuguese (Brazil)
Power	24 V, 3.0 A, 50/60Hz, AC (Max. 60 W), Hi-PoE, 42.5 to 57 V, 1.41 A (Max. 50 W) Total max. 60 W, including max. 18 W for IR, max. 6 W for heater
Working Environment	Temperature: -40°C to 70°C (-40°F to 158°F), humidity: $\leq$ 95%
Protection Level	IP66 Standard
Dimension	$\Phi$ 245 mm $\times$ 373.94 mm ( $\Phi$ 9.65" $\times$ 14.72")
Weight	Approx. 6 kg (13.23 lb)

## DORI

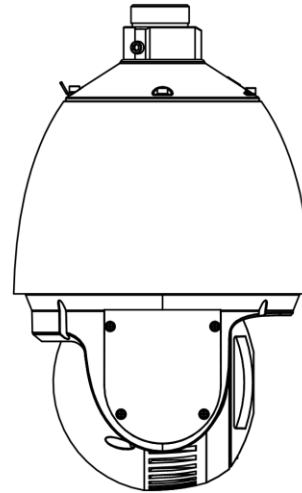
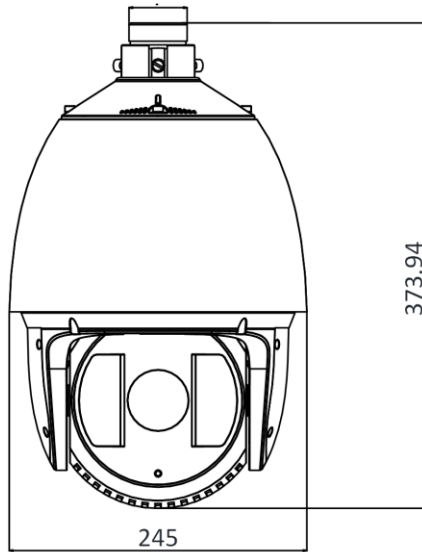
The DORI (detect, observe, recognize, identify) distance gives the general idea of the camera ability to distinguish persons or objects within its field of view. It is calculated based on the camera sensor specification and the criteria given by EN 62676-4: 2015.

DORI	Detect	Observe	Recognize	Identify
Definition	25 px/m	63 px/m	125 px/m	250 px/m
Distance (Tele)	2046.9 m (6715.5 ft)	812.3 m (2664.9 ft)	409.4 m (1343.1 ft)	204.7 m (671.6 ft)

## Available Model

DS-2DF7232IX-AEL (T3)

**Dimensions**



Unit: mm

**Accessory**

**Included**



DS-1681ZJ  
Installation Adapter

**Optional**



DS-1604ZJ  
Wall Mount



DS-1602ZJ  
Wall Mount



DS-1604ZJ-box  
Wall Mount with Junction  
Box



DS-1604ZJ-box-pole  
Vertical Pole Mount with  
Junction Box



DS-1604ZJ-box-corner  
Corner Mount with Junction  
Box



DS-1661ZJ  
Pendant Mount



DS-1662ZJ  
Pendant Mount



DS-1667ZJ  
Extendable Pole for Pendant  
Mount



**DS-1682ZJ**  
Extendable Pole for Pendant Mount



**DS-1663ZJ**  
Ceiling Mount



**DS-1673ZJ**  
Horizontal Pole Mount



**DS-1660ZJ**  
Parapet Mount



**DS-1619ZJ**  
Gooseneck Mount



**TEAC-66-243000V (EU)**  
**MKAC-66-243000U (USA)**  
**TEAC-66-243000VB (UK)**  
Power adapter



**LAS60-57CN-RJ45**  
Hi-PoE Midspan

Distributed by



## HIKVISION®

### Headquarters

No.555 Qianmo Road, Binjiang District,  
Hangzhou 310051, China  
T +86-571-8807-5998  
overseasbusiness@hikvision.com

**Hikvision USA**  
T +1-909-895-0400  
sales.usa@hikvision.com

**Hikvision Australia**  
T +61-2-8599-4233  
salesau@hikvision.com

**Hikvision India**  
T +91-22-28469900  
sales@pramahikvision.com

**Hikvision Canada**  
T +1-866-200-6690  
sales.canada@hikvision.com

**Hikvision Thailand**  
T +662-275-9949  
sales.thailand@hikvision.com

**Hikvision Europe**  
T +31-23-5542770  
sales.eu@hikvision.com

**Hikvision Italy**  
T +39-0438-6902  
info.it@hikvision.com

**Hikvision Brazil**  
T +55 11 3318-0050  
Latam.support@hikvision.com

**Hikvision Turkey**  
T +90 (216)521 7070- 7074  
sales.tr@hikvision.com

**Hikvision Malaysia**  
T +601-7652-2413  
sales.my@hikvision.com

**Hikvision UK & Ireland**  
T +01628-902140  
sales.uk@hikvision.com

**Hikvision South Africa**  
Tel: +27 (10) 0351172  
sale.africa@hikvision.com

**Hikvision France**  
T +33(0)1-85-330-450  
info.fr@hikvision.com

**Hikvision Kazakhstan**  
T +7-727-9730667  
nikia.panfilov@hikvision.ru

**Hikvision Vietnam**  
T +84-974270888  
sales.vt@hikvision.com

**Hikvision UAE**  
T +971-4-4432090  
salesme@hikvision.com

**Hikvision Singapore**  
T +65-6684-4718  
sg@hikvision.com

**Hikvision Spain**  
T +34-91-737-16-55  
info.es@hikvision.com

**Hikvision Tashkent**  
T +99-87-1238-9438  
uzb@hikvision.ru

**Hikvision Hong Kong**  
T +852-2151-1761  
info.hk@hikvision.com

**Hikvision Russia**  
T +7-495-669-67-99  
saleru@hikvision.com

**Hikvision Korea**  
T +82-(0)31-731-8817  
sales.korea@hikvision.com

**Hikvision Poland**  
T +48-22-460-01-50  
info.pl@hikvision.com

**Hikvision Indonesia**  
T +62-21-2933759  
Sales.Indonesia@hikvision.com

**Hikvision Colombia**  
sales.colombia@hikvision.com