

## iDS-2CD7046G0/P-AP 4MP ANPR Box Network Camera

**DarkFighter**



### ▪ DeepinView<sup>series</sup>

- High quality imaging with 4 MP resolution
- Excellent low-light performance via DarkFighter technology
- Clear imaging against strong back light due to 140 dB WDR technology
- License Plate Recognition
- Efficient H.265+ compression technology to save bandwidth and storage
- 5 streams to meet a wide variety of applications
- Built-in microphone for real-time audio security





## ▪ **Function**

### Road Traffic and Vehicle Detection

With embedded deep learning based license plate capture and recognition algorithms, the camera alone can achieve plate capture and recognition. The algorithm enjoys the high recognition accuracy of common plates and complex-structured plates, which is a great step forward comparing to traditional algorithms. Blocklist and allowlist are available for plate categorization and separate alarm triggering.

## ▪ Specification

| Camera                      |   |
|-----------------------------|---|
| Image Sensor                | 1/1.8" Progressive Scan CMOS  |
| Max. Resolution             | 2688 × 1520   |
| Min. Illumination           | Color: 0.0005 Lux @ (F1.2, AGC ON)<br>B/W: 0.0001 Lux @ (F1.2, AGC ON)  |
| Shutter Time                | 1 s to 1/100,000 s  |
| Day & Night                 | IR cut filter<br>Blue glass module to reduce ghost phenomenon   |
| Lens                        |   |
| Lens Mount                  | CS mount  |
| Video                       |   |
| Main Stream                 | 50 Hz: 25 fps (2688 × 1520, 2560 × 1440, 1920 × 1080, 1280 × 720)<br>60 Hz: 30 fps (2688 × 1520, 2560 × 1440, 1920 × 1080, 1280 × 720)  |
| Sub-Stream                  | 50 Hz: 25 fps (704 × 576, 640 × 480)<br>60 Hz: 30 fps (704 × 480, 640 × 480)  |
| Third Stream                | 50 Hz: 25 fps (1920 × 1080, 1280 × 720, 704 × 576, 640 × 480)<br>60 Hz: 30 fps (1920 × 1080, 1280 × 720, 704 × 480, 640 × 480)  |
| Fourth Stream               | 50 Hz: 25 fps (1920 × 1080, 1280 × 720, 704 × 576, 640 × 480)<br>60 Hz: 30 fps (1920 × 1080, 1280 × 720, 704 × 480, 640 × 480)  |
| Fifth Stream                | 50 Hz: 25 fps (704 × 576, 640 × 480)<br>60 Hz: 30 fps (704 × 480, 640 × 480)  |
| Video Compression           | Main stream: H.265+/H.265/H.264+/H.264,<br>Sub-stream: H.265/H.264/MJPEG,<br>Third stream: H.265/H.264,<br>Fourth stream: H.265/H.264/MJPEG,<br>Fifth stream: H.265/H.264/MJPEG   |
| Video Bit Rate              | 32 Kbps to 8 Mbps   |
| H.264 Type                  | Baseline Profile, Main Profile, High Profile  |
| H.265 Type                  | Main Profile  |
| Bit Rate Control            | CBR,VBR   |
| Scalable Video Coding (SVC) | H.265 and H.264 encoding  |
| Region of Interest (ROI)    | 4 fixed regions for each stream   |
| Target Cropping             | Yes   |
| Audio                       |   |
| Audio Type                  | Mono sound  |
| Audio Compression           | G.711/G.722.1/G.726/MP2L2/PCM/MP3/AAC-LC  |
| Audio Bit Rate              | 64 Kbps (G.711ulaw/G.711alaw)/16 Kbps (G.722.1)/16 Kbps (G.726)/32 to 192 Kbps (MP2L2)/8 to 320 Kbps (MP3)/16 to 64 Kbps (AAC-LC)   |
| Audio Sampling Rate         | 8 kHz/16 kHz/32 kHz/44.1 kHz/48 kHz   |
| Environment Noise Filtering | Yes   |
| Network                     |   |
| Protocols                   | TCP/IP, ICMP, HTTP, HTTPS, FTP, SFTP, SRTP, DHCP, DNS, DDNS, RTP, RTSP, RTCP, PPPoE, NTP, UPnP, SMTP, SNMP, IGMP, 802.1X, QoS, IPv6, UDP, Bonjour, SSL/TLS, WebSocket, WebSockets |

|                               |  |
|-------------------------------|--|
| Simultaneous Live View        | Up to 20 channels  |
| API                           | Open Network Video Interface (PROFILE S, PROFILE G, PROFILE T), ISAPI, SDK, ISUP   |
| User/Host                     | Up to 32 users. 3 user levels: administrator, operator and user  |
| Security                      | Password protection, complicated password, HTTPS encryption, 802.1X authentication (EAP-TLS, EAP-LEAP, EAP-MD5), watermark, IP address filter, basic and digest authentication for HTTP/HTTPS, WSSE and digest authentication for Open Network Video Interface, RTP/RTSP OVER HTTPS, Control Timeout Settings, Security Audit Log, TLS 1.2 |
| Network Storage               | NAS (NFS, SMB/CIFS), auto network replenishment (ANR)<br>Together with high-end Hikvision memory card, memory card encryption and health detection are supported.  |
| Client                        | iVMS-4200, Hik-Connect, Hik-Central  |
| Web Browser                   | Plug-in required live view: IE8+<br>Plug-in free live view: Chrome 57.0+, Firefox 52.0+, Safari 11+<br>Local service: Chrome 41.0+, Firefox 30.0+  |
| <b>Image</b>                  |  |
| Image Parameters Switch       | Yes  |
| Image Settings                | Saturation, brightness, contrast, sharpness, gain, white balance adjustable by client software or web browser  |
| Day/Night Switch              | Day, Night, Auto, Schedule, Alarm Trigger, Video Trigger   |
| Wide Dynamic Range (WDR)      | 140 dB   |
| SNR                           | ≥ 52 dB  |
| Image Enhancement             | BLC, HLC, Defog, 3D DNR  |
| Image Stabilization           | EIS  |
| Picture Overlay               | LOGO picture can be overlaid on video with 128 × 128 24bit bmp format  |
| <b>Interface</b>              |  |
| Video Output                  | 1 Vp-p Composite Output (75 Ω/CVBS) (Only for debugging)   |
| Ethernet Interface            | 1 RJ45 100 M/1000 M self-adaptive Ethernet port  |
| On-Board Storage              | Built-in memory card slot, support microSD/microSDHC/microSDXC card, up to 1 TB  |
| Audio                         | 1 input (line in), 1 output (line out), 3.5 mm connector, 1 built-in microphone  |
| Alarm                         | 2 inputs, 2 outputs (max. 24 VDC, 1A)  |
| RS-485                        | 1 RS-485 (half duplex, HIKVISION, Pelco-P, Pelco-D, self-adaptive)   |
| Reset Key                     | Yes  |
| Power Output                  | 12 VDC, max. 100 mA  |
| <b>Event</b>                  |  |
| Basic Event                   | Motion detection, video tampering alarm, exception (network disconnected, IP address conflict, illegal login, abnormal reboot, HDD full, HDD error), video quality diagnosis   |
| Smart Event                   | Line crossing detection, intrusion detection, region entrance detection, region exiting detection, audio exception detection, scene change detection, defocus detection  |
| Linkage                       | Upload to FTP/NAS/memory card, notify surveillance center, send email, trigger alarm output, trigger recording, trigger capture, audible warning   |
| <b>Deep Learning Function</b> |  |
| Perimeter Protection          | Line crossing, intrusion, region entrance, region exiting<br>Support alarm triggering by specified target types  |

|                                    |   |
|------------------------------------|---|
| Metadata                           | Intrusion detection, line crossing detection, region entrance detection, region exiting detection, road traffic   |
| Road Traffic and Vehicle Detection | Blocklist and allowlist: up to 10,000 records<br>Support license plate recognition of motorcycles (only in checkpoint scenario)<br>Support vehicle attribute detection, including vehicle type, color, brand, etc. (City Street mode is recommended.)<br>License plate recognition rate ≥98%  |
| <b>General</b>                     |   |
| Power                              | 12 VDC ± 20%, 0.9 A, max. 10.8 W, two-core terminal block<br>24 VAC ± 20%, 0.44 A, max. 10.4 W, two-core terminal block<br>PoE: 802.3af, Type 1, Class 3, 36 V to 57 V, 0.33 A to 0.21 A, max. 11.6 W   |
| Material                           | Aluminum alloy body   |
| Dimension                          | 142.5 × 69.8 × 68 mm (5.61" × 2.75" × 2.68")  |
| Package Dimension                  | 315 × 140 × 140 mm (12.4" × 5.51" × 5.51")  |
| Weight                             | Approx. 730 g (1.96 lb.)  |
| With Package Weight                | Approx. 1115 g (2.99 lb.)   |
| Storage Conditions                 | -30 °C to 60 °C (-22 °F to 140 °F). Humidity 95% or less (non-condensing)   |
| Language                           | 33 languages: English, Russian, Estonian, Bulgarian, Hungarian, Greek, German, Italian, Czech, Slovak, French, Polish, Dutch, Portuguese, Spanish, Romanian, Danish, Swedish, Norwegian, Finnish, Croatian, Slovenian, Serbian, Turkish, Korean, Traditional Chinese, Thai, Vietnamese, Japanese, Latvian, Lithuanian, Portuguese (Brazil), Ukrainian |
| Startup and Operating Conditions   | -30 °C to 60 °C (-22 °F to 140 °F). Humidity 95% or less (non-condensing)   |
| General Function                   | Anti-flicker, 5 streams, EPTZ, heartbeat, mirror, privacy mask, flash log, password reset via email, pixel counter  |
| <b>Approval</b>                    |   |
| EMC                                | FCC (47 CFR Part 15, Subpart B);<br>CE-EMC (EN 55032: 2015, EN 61000-3-2:2019, EN 61000-3-3:2013+A1:2019, EN 50130-4: 2011 +A1: 2014);<br>RCM (AS/NZS CISPR 32: 2015);<br>IC (ICES-003: Issue 7);<br>KC (KN 32: 2015, KN 35: 2015)  |
| Safety                             | UL (UL 62368-1);<br>CB (IEC 62368-1:2014+A11);<br>CE-LVD (EN 62368-1:2014/A11:2017);<br>BIS (IS 13252(Part 1):2010/ IEC 60950-1 : 2005);<br>LOA (IEC/EN 60950-1)  |
| Environment                        | CE-RoHS (2011/65/EU);<br>WEEE (2012/19/EU);<br>Reach (Regulation (EC) No 1907/2006)   |

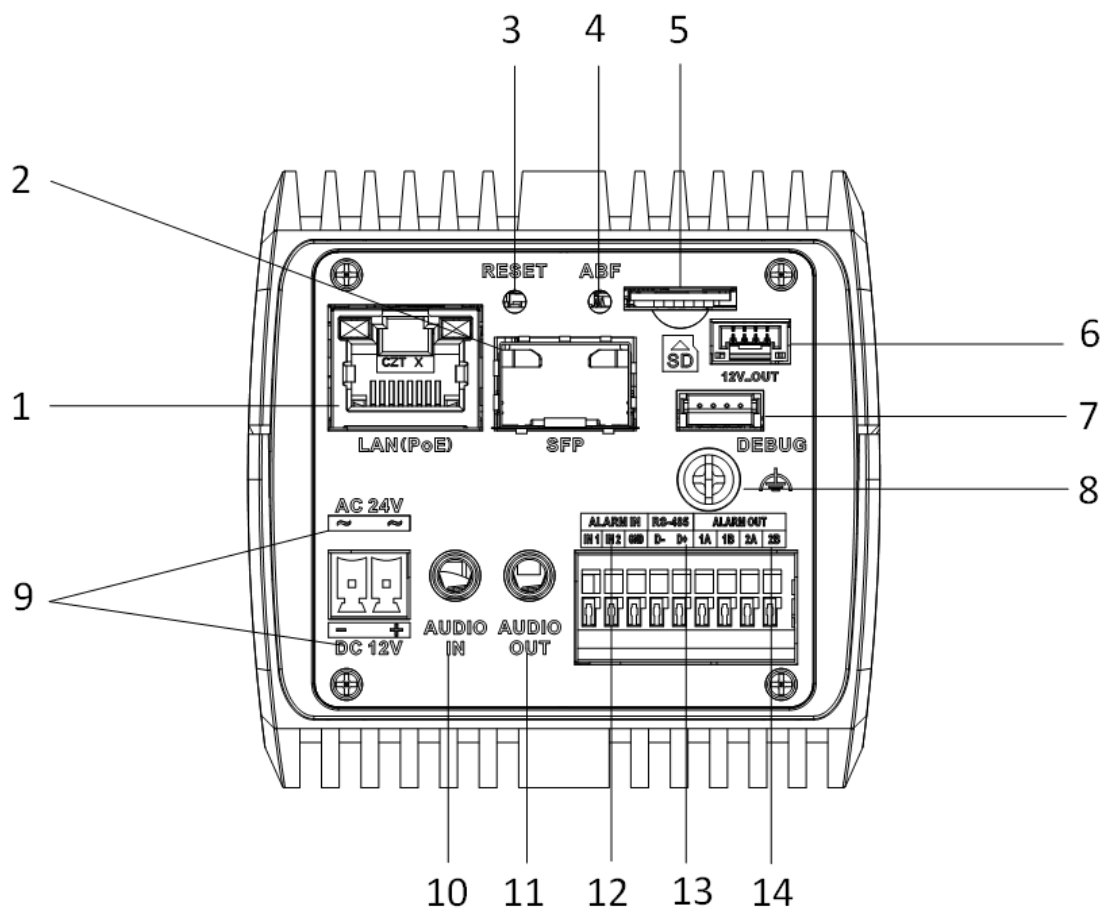
## ▪ Typical Application

Hikvision products are classified into three levels according to their anti-corrosion performance. Refer to the following description to choose for your using environment.

This model has NO SPECIFIC PROTECTION.

| Level                  | Description  |
|------------------------|--|
| Top-level protection   | Hikvision products at this level are equipped for use in areas where professional anti-corrosion protection is a must. Typical application scenarios include coastlines, docks, chemical plants, and more.   |
| Moderate protection    | Hikvision products at this level are equipped for use in areas with moderate anti-corrosion demands. Typical application scenarios include coastal areas about 2 kilometers (1.24 miles) away from coastlines, as well as areas affected by acid rain. |
| No specific protection | Hikvision products at this level are equipped for use in areas where no specific anti-corrosion protection is needed.  |

## ▪ Physical Interface



| No. | Description  | No. | Description     |
|-----|--------------|-----|-----------------|
| 1   | LAN (PoE)    | 8   | GROUND          |
| 2   | SFP          | 9   | AC 24 V/DC 12 V |
| 3   | RESET Button | 10  | AUDIO IN        |
| 4   | ABF          | 11  | AUDIO OUT       |

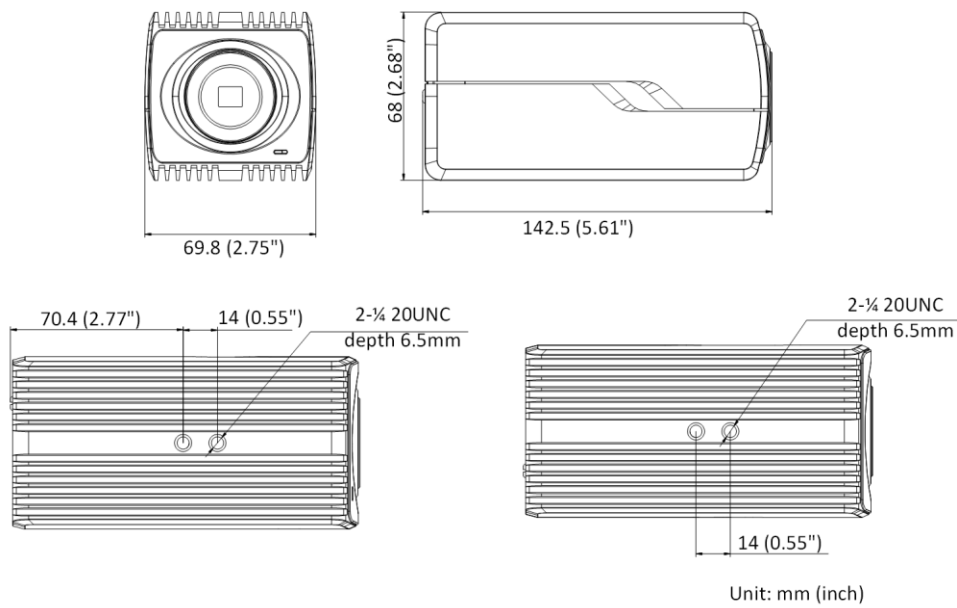
|   |                   |    |           |
|---|-------------------|----|-----------|
| 5 | MicroSD Card Slot | 12 | ALARM IN  |
| 6 | DC 12 V OUT       | 13 | RS-485    |
| 7 | DEBUG             | 14 | ALARM OUT |

\*Note: The interface varies depending on the model. Please refer to the actual product.

## ▪ Available Model

iDS-2CD7046G0/P-AP

## ▪ Dimension



## ▪ Accessory

### ▪ Optional

| DS-1233ZJ<br>Pendant Mount  | HV0415D-MP<br>Mega-pixel Auto-Iris<br>Lens  | DS-1269ZJ<br>Pendant Mount  | DS-1292ZJ<br>Wall Mount  | DS-1214ZJ<br>Horizontal Pole<br>Mount   |
|---|---|---|--|---|
|  |  |  |  |  |

|   |   |   |   |   |
|---|---|---|---|---|
| <b>DS-1332HZ</b><br><b>Indoor Housing</b>   | <b>DS-1331HZ-W</b><br><b>Outdoor Housing</b>                                      | <b>DS-2202ZJ</b><br><b>Wall Mount</b>   | <b>HV0733D-6MP</b><br><b>Mega-pixel Auto-Iris</b><br><b>Lens</b>                    | <b>DS-1293ZJ</b><br><b>Wall Mount</b>   |
|  |  |  |  |  |
| <b>DS-1299ZJ</b><br><b>Pendant Mount</b>  | <b>HV1140D-8MPIR</b><br><b>Mega-pixel Auto-Iris</b><br><b>Lens</b>                | <b>HV3816D-8MPIR</b><br><b>Mega-pixel Auto-Iris</b><br><b>Lens</b>                | <b>HV3816P-8MPIR</b><br><b>Mega-pixel P-Iris</b><br><b>Lens</b>                     |   |
|  |  |  |  |   |

Distributed by



## HIKVISION®

### Headquarters

No.555 Qianmo Road, Binjiang District,  
 Hangzhou 310051, China  
 T +86-571-8807-5998  
 overseasbusiness@hikvision.com

**Hikvision USA**  
 T +1-909-895-0400  
 sales.usa@hikvision.com

**Hikvision Australia**  
 T +61-2-8599-4233  
 salesau@hikvision.com

**Hikvision India**  
 T +91-22-28469900  
 sales@pramahikvision.com

**Hikvision Canada**  
 T +1-866-200-6690  
 sales.canada@hikvision.com

**Hikvision Thailand**  
 T +662-275-9949  
 sales.thailand@hikvision.com

**Hikvision Europe**  
 T +31-23-5542770  
 sales.eu@hikvision.com

**Hikvision Italy**  
 T +39-0438-6902  
 info.it@hikvision.com

**Hikvision Brazil**  
 T +55 11 3318-0050  
 Latam.support@hikvision.com

**Hikvision Turkey**  
 T +90 [216]521 7070- 7074  
 sales.tr@hikvision.com

**Hikvision Malaysia**  
 T +601-7652-2413  
 sales.my@hikvision.com

**Hikvision UK & Ireland**  
 T +01628-902140  
 sales.uk@hikvision.com

**Hikvision South Africa**  
 Tel: +27 (10) 0351172  
 sale.africa@hikvision.com

**Hikvision France**  
 T +33(0)1-85-330-450  
 info.fr@hikvision.com

**Hikvision Kazakhstan**  
 T +7-727-9730667  
 nikia.panfilov@hikvision.ru

**Hikvision Vietnam**  
 T +84-974270888  
 sales.vt@hikvision.com

**Hikvision UAE**  
 T +971-4-4432090  
 salesme@hikvision.com

**Hikvision Singapore**  
 T +65-6684-4718  
 sg@hikvision.com

**Hikvision Spain**  
 T +34-91-737-16-55  
 info.es@hikvision.com

**Hikvision Tashkent**  
 T +99-87-1238-9438  
 uzb@hikvision.ru

**Hikvision Hong Kong**  
 T +852-2151-1761  
 info.hk@hikvision.com

**Hikvision Russia**  
 T +7-495-669-67-99  
 saleru@hikvision.com

**Hikvision Korea**  
 T +82-(0)31-731-8817  
 sales.korea@hikvision.com

**Hikvision Poland**  
 T +48-22-460-01-50  
 info.pl@hikvision.com

**Hikvision Indonesia**  
 T +62-21-2933759  
 Sales.Indonesia@hikvision.com

**Hikvision Colombia**  
 sales.colombia@hikvision.com