

DS-2CE12KF3T-PIRXO 3K ColorVu PIR Siren Fixed Bullet Camera



- High quality imaging with 3K, 2960 × 1665 resolution
- 24/7 color imaging
- Clear imaging against strong back light due to 130 dB true WDR technology
- 3D DNR technology delivers clean and sharp images
- 2.8 mm, 3.6 mm fixed focal lens
- Up to 40 m White Light distance for bright night imaging
- Detects human body through heat-sensitive passive infrared (PIR)
- Active strobe light and audio alarm to warn intruders off
- Water and dust resistant (IP67)
- High quality audio with built-in speaker



▪ Specification

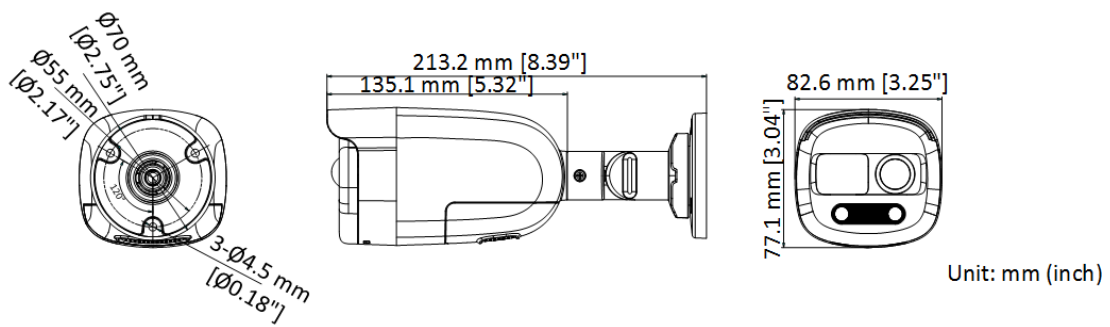
Camera	
Image Sensor	1/1.8" 3K CMOS
Max. Resolution	2960 (H) × 1665 (V)
Min. Illumination	0.0003 Lux @ (F1.0, AGC ON), 0 Lux with white Light
Shutter Time	PAL: 1/25 s to 1/50,000 s; NTSC: 1/30 s to 1/50,000 s
Day & Night	24/7 Color Imaging
Angle Adjustment	Pan: 0° to 360°, Tilt: 0° to 180°, Rotation: 0° to 360°
Signal System	PAL/NTSC
Slow Shutter	Max. 16 times
Lens	
Lens Type	2.8 mm, 3.6 mm fixed focal lens
Focal Length & FOV	2.8 mm, horizontal FOV: 109°, vertical FOV: 58°, diagonal FOV: 129° 3.6 mm, horizontal FOV: 92°, vertical FOV: 45°, diagonal FOV: 111°
Lens Mount	M16
Illuminator	
Supplement Light Type	White Light
Supplement Light Range	Up to 40 m
Smart Supplement Light	Yes
Image	
Image Parameters Switch	STD/HIGH-SAT/HIGHLIGHT
Image Settings	Brightness, Contrast, Mirror, Defective Pixel Correction, Sharpness, Smart Light, Anti-Banding, AGC
Frame Rate	3K@20 fps, 4 MP@30 fps, 4 MP@25 fps, 1080p@30 fps, 1080p@25 fps
Day/Night Mode	Color
Wide Dynamic Range (WDR)	≥130 dB
Image Enhancement	WDR, BLC, HLC, Global, HLS
Privacy Mask	4 programmable privacy masks
Noise Reduction	3D DNR/2D DNR
White Balance	Auto/Manual
White Light	Auto/Off
Supplement Detection(PIR)	
PIR Range	11 m
PIR Angle	110°
Interface	
Video Output	1 HD analog output
Alarm	1 line out Flashing Light Alarm (White)
Event	
Motion Detection	4 programmable motion areas
General	
Power	12 VDC ± 25%, max. 7.9 W <i>*You are recommended to use one power adapter to supply the power for one camera.</i>
Material	Front cover: Metal, Main body: Plastic
Dimension	82.6 mm × 77.1 mm × 213.2 mm (3.25" × 3.04" × 8.39")

Weight	Approx. 467 g (1.03 lb.)
Operating Condition	-40°C to 60°C (-40°F to 140°F), humidity: 90% or less (non-condensing)
Communication	HIKVISION-C
Language	English
Approval	
Protection	IP67

▪ Available Model

DS-2CE12KF3T-PIRXO

▪ Dimension

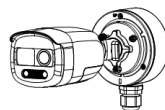


▪ Accessory

▪ Optional

DS-1280ZJ-XS

Junction box



Distributed by

**HIKVISION®****Headquarters**

No.555 Qianmo Road, Binjiang District,
Hangzhou 310051, China
T +86-571-8807-5998
overseasbusiness@hikvision.com

Hikvision USA
T +1-909-895-0400
sales.usa@hikvision.com

Hikvision Australia
T +61-2-8599-4233
salesau@hikvision.com

Hikvision India
T +91-22-28469900
sales@pramahikvision.com

Hikvision Canada
T +1-866-200-6690
sales.canada@hikvision.com

Hikvision Thailand
T +662-275-9949
sales.thailand@hikvision.com

Hikvision Europe
T +31-23-5542770
sales.eu@hikvision.com

Hikvision Italy
T +39-0438-6902
info.it@hikvision.com

Hikvision Brazil
T +55 11 3318-0050
Latam.support@hikvision.com

Hikvision Turkey
T +90 (216)521 7070- 7074
sales.tr@hikvision.com

Hikvision Malaysia
T +601-7652-2413
sales.my@hikvision.com

Hikvision UK & Ireland
T +01628-902140
sales.uk@hikvision.com

Hikvision South Africa
Tel: +27 (10) 0351172
sale.africa@hikvision.com

Hikvision France
T +33(0)1-85-330-450
info.fr@hikvision.com

Hikvision Kazakhstan
T +7-727-9730667
nikia.panfilov@hikvision.ru

Hikvision Vietnam
T +84-974270888
sales.vt@hikvision.com

Hikvision UAE
T +971-4-4432090
salesme@hikvision.com

Hikvision Singapore
T +65-6684-4718
sg@hikvision.com

Hikvision Spain
T +34-91-737-16-55
info.es@hikvision.com

Hikvision Tashkent
T +99-87-1238-9438
uzb@hikvision.ru

Hikvision Hong Kong
T +852-2151-1761
info.hk@hikvision.com

Hikvision Russia
T +7-495-669-67-99
saleru@hikvision.com

Hikvision Korea
T +82-(0)31-731-8817
sales.korea@hikvision.com

Hikvision Poland
T +48-22-460-01-50
info.pl@hikvision.com

Hikvision Indonesia
T +62-21-2933759
Sales.Indonesia@hikvision.com

Hikvision Colombia
sales.colombia@hikvision.com