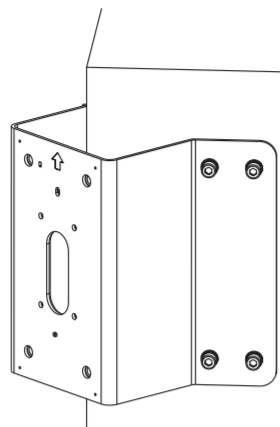


## Operating Instructions

Included Installation Instructions

### Corner Mount Bracket

Model No. **WV-QCN500-W**



- Before attempting to connect or install this product, please read these instructions carefully and save this manual for future use.
- The external appearance and other parts shown in this manual may differ from the actual product within the scope that will not interfere with normal use due to improvement of the product.

**Panasonic i-PRO Sensing Solutions Co., Ltd. assumes no responsibility for injuries or property damage resulting from failures arising out of improper installation or operation inconsistent with this documentation.**

<p><b>For U.S. and Canada:</b></p> <p><b>Panasonic i-PRO Sensing Solutions Corporation of America</b> 800 Gessner Rd, Suite 700 Houston, TX 77024 <a href="https://www.security.us.panasonic.com/">https://www.security.us.panasonic.com/</a></p> <p><b>Panasonic Canada Inc.</b> 5770 Ambler Drive, Mississauga, Ontario, L4W 2T3 Canada 1-877-495-0580 <a href="https://www.panasonic.com/ca/">https://www.panasonic.com/ca/</a></p>	<p><b>For Europe and other countries:</b></p> <p><b>Panasonic Corporation</b> <a href="http://www.panasonic.com">http://www.panasonic.com</a></p> <p>Panasonic i-PRO Sensing Solutions Co., Ltd. Fukuoka, Japan</p> <p>Authorised Representative in EU:</p> <p>Panasonic Testing Centre Panasonic Marketing Europe GmbH Winsberggring 15, 22525 Hamburg, Germany</p>
--	--

© Panasonic i-PRO Sensing Solutions Co., Ltd. 2020

Ls0520-0  
Printed in China

<p><b>Caution:</b></p> <ul style="list-style-type: none"> <li>• Before attempting to connect or operate this product, please read these instructions carefully.</li> </ul>	<p><b>Notice:</b></p> <ul style="list-style-type: none"> <li>• This product is not suitable for use in locations where children are likely to be present.</li> <li>• Do not install this product in locations where ordinary persons can easily reach.</li> <li>• For information about screws and brackets required for installation, refer to the corresponding section of this document.</li> </ul>
--	--

## Precautions

### ■ Do not hang down from this product or use this product as a pedestal.

Failure to observe this may cause injury or accidents.

### ■ Do not use this bracket except with specified cameras or other brackets.

Failure to observe this may cause a drop resulting in injury or accidents.

### ■ Do not install this product on a place that is greatly influenced by wind.

Installation on a place where the wind speed is 60 m/s {approx. 134 mph} or more may cause a fall of the product resulting in injury or accidents.

### ■ Refer installation work to the dealer.

Installation work requires technique and experiences. Failure to observe this may cause fire, electric shock, injury, or damage to the product.  
Be sure to consult the dealer.

### ■ The measures of protection against a fall of this product shall be taken.

Failure to observe this may cause a drop resulting in injury.  
If there is specified safety wire, please make sure to install it.

### ■ The measures of protection against snowfall shall be taken.

Weight of snow may cause a fall of the product resulting in injury or accidents. Protect the product against snowfall by installing it under eaves.

### ■ Do not rub the edges of metal parts with your hand.

Strong rubbing may cause injury.

### ■ When using this product, also read the “Precautions” described in the operating instructions for the camera to be attached.

## Preface

This product is designed to be used to install a mount bracket for camera to an external corner of building.

For the latest information about the mountable models, refer to our support website ([https://security.panasonic.com/training\\_support/support/info/<Control No.:C0501, C0502>](https://security.panasonic.com/training_support/support/info/<Control No.:C0501, C0502>)).

## Specifications

Ambient operating temperature:	-50 °C to +60 °C [-58 °F to 140 °F]
Dimensions:	230 mm (L) × 246 mm (W) × 155 mm (H) (9-1/16 inches (L) × 9-11/16 inches (H) × 6-3/32 inches (H))
Mass:	Approx. 1.3 kg [2.87 lbs]
Finish:	Steel sheet i-PRO White

## Precautions for installation

### ■ In order to prevent injury, the product must be securely mounted to the wall (corner) according to Operating Instructions.

#### ■ Installation area for this product.

- Please consider the influence of vibration and wind at the installation site and mount the bracket onto the wall with appropriate strength.
- Installable corner: Corner part of a vertical and right-angle wall
- Do not mount the product on a plaster board or a wooden section because they are too weak. If the product is unavoidably mounted on such a section, the section shall be sufficiently reinforced.
- After the bracket is mounted, please verify the following content once a year. In the event of abnormality, please inform the dealer.
  - Do not allow any slanting, distortion or offset in installation.
  - Bracket should not have any serious rust or damage.
- Please refer to our support website ([https://security.panasonic.com/training\\_support/support/info/<Control No.:C0507>](https://security.panasonic.com/training_support/support/info/<Control No.:C0507>)) for installation information of the bracket.

#### ■ About the installation methods.

- The bracket is specifically designed for installation onto a corner of the wall.
- Prepare mounting screws (M8, locally procured) or anchors (8 pcs.) to be mounted on a wall separately.
- Select screws according to the material of the location that the bracket will be mounted to. Minimum pull-out strength: 823 N {185 lbf} (per 1 pc.)
- After the installation is finished, please check if there are slackness or shaking of screws and raising of mount bracket. In the event of abnormality, please tighten again.

#### ■ Check before the installation.

Once the bracket is installed with a deformed mount bracket and/or damaged part, it could potentially fall. Before the installation, please make sure to check the appearance of the bracket.

#### ■ Screw tightening.

- Make sure to tighten the screws (accessory) that fix camera or mount bracket onto this product.
- Do not use an impact driver. Use of an impact driver may damage the screws or cause tightening excessively.
- When a screw is tightened, make the screw at a right angle to the surface. After tightening the screws or bolts, perform checks to ensure that the tightening is sufficient enough so that there is no movement or looseness.

#### ■ Make sure to remove this product if it will no longer be used.

## Standard accessories

Operating Instructions (this document)..... 1 pc.  
Use the following accessories as the installation requires (use of all accessories together will likely not be necessary):

Safety wire fixing bracket ..... 1 pc.  
M10 × 30 mm {1-3/16 inches} hexagon screws ..... 5 pcs.  
M6 × 16 mm {5/8 inches} hexagon screws..... 2 pcs.  
M4 × 20 mm {25/32 inches} hexagon screws..... 5 pcs.

#### Note:

- One spare is provided for each type of screw.
- Each 8 mm {5/16 inches}, 5 mm {3/16 inches} or 3 mm {1/8 inches} hexagon wrench (locally procured) is needed when M10, M6 or M4 hexagon screw is used.  
(In this manual, hexagon socket head cap screw is described as hexagon screw.)

## Other items that are needed (not included)

Fixing screws (M8) or anchors ..... 8 pcs.

#### IMPORTANT:

- This value indicates the minimum pull-out strength required value per screw. For information about the minimum pull-out strength, refer to our support website ([https://security.panasonic.com/training\\_support/support/info/<Control No.: C0120>](https://security.panasonic.com/training_support/support/info/<Control No.: C0120>)).
- Select screws according to the material of the location that the camera will be mounted to. In this case, wood screws and nails should not be used.

## Installations

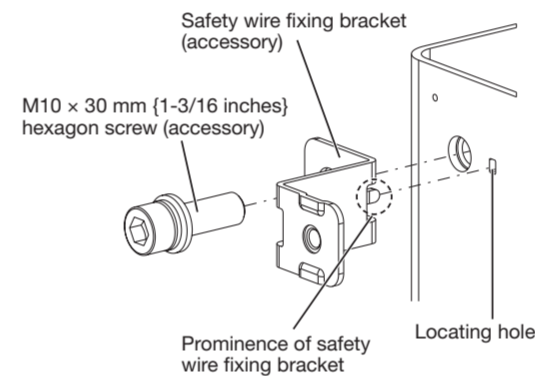
Be sure to read "Precautions" and "Precautions for installation" before installation.

**Refer to the operating instructions of the camera for details on the camera installation (including the camera mounting, cable connection and adjustment).**

### ■ When the camera is directly attached to this product and the camera equipped with a safety wire.

Before mounting the camera, attach the safety wire fixing bracket (accessory) to this product.

- Use one M10 × 30 mm {1-3/16 inches} hexagon screw (accessory) to install the safety wire fixing bracket (accessory) on the top left corner of this product.  
(Recommended tightening torque: 10.8 N·m {7.97 lbf·ft})

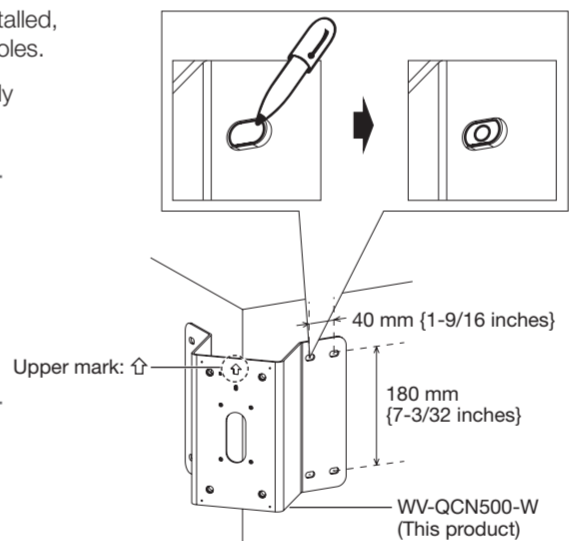


### ■ Install the mount bracket onto an external corner of building.

- ① Place this product to the corner to be installed, and marked the position of eight screw holes.
- ② According to the type of screw (M8, locally procured), drill eight holes at the marked position.

#### Note:

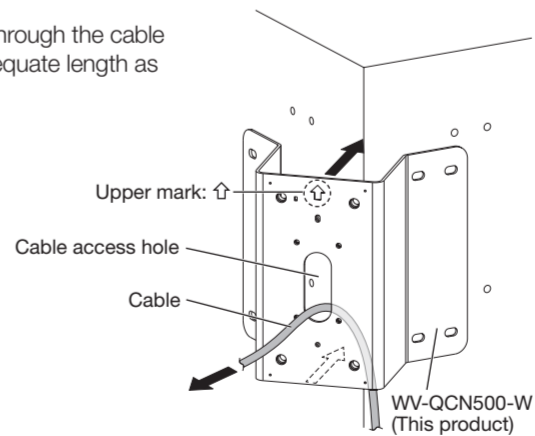
- The corner must enough solid to support the products installed on it.
- Please confirm the installation height after considering the height of installing camera onto this product.



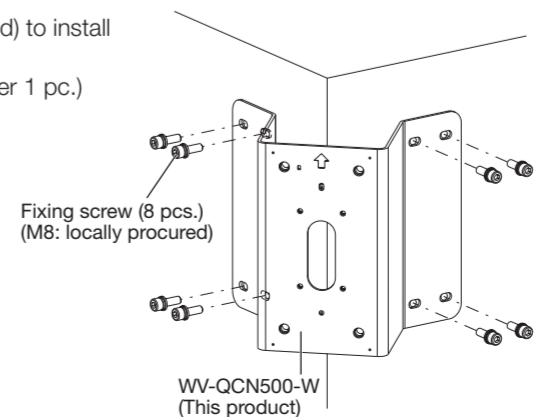
- ③ Pass the cable to be connected with camera through the cable access hole of this product and pull out an adequate length as needed for the camera.

#### Note:

- Please make sure the arrow on the corner mount bracket is upward.

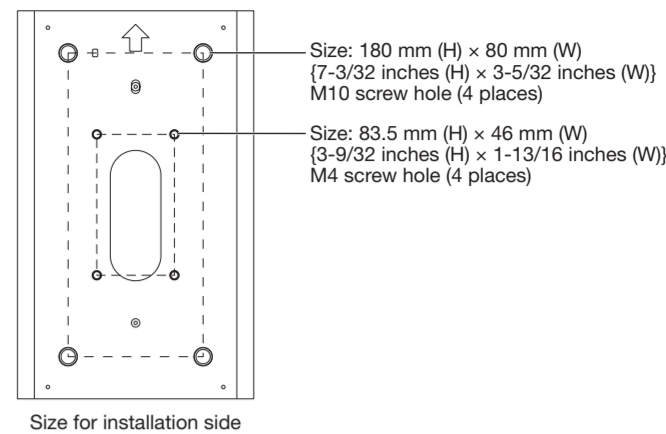


- ④ Use fixing screws (8 pcs.) (M8: locally procured) to install this product onto the corner.  
Minimum pull-out strength: 823 N {185 lbf} (per 1 pc.)



### ■ Install camera or mount bracket for camera to corner mount bracket

Size illustration for installing part of WV-QCN500-W



#### <Mountable models>

You can attach the camera directly to this product, or attach the camera by using the following bracket combination.

- WV-QWL501-W (Wall Mount Bracket: i-PRO White)
- WV-QSR501-W (Mount Bracket : i-PRO White)
- WV-QWL500-W (Wall Mount Bracket: i-PRO White)
- WV-QJB500-W (Adapter Box: i-PRO White)

For the latest information about the mountable models, refer to our support website ([https://security.panasonic.com/training\\_support/support/info/<Control No.:C0501, C0502>](https://security.panasonic.com/training_support/support/info/<Control No.:C0501, C0502>)).

#### IMPORTANT:

- Only one bracket and camera can be installed with this product. Do not install any bracket or camera which is not described in the manual (this document) or our support website.

Please choose one appropriate way from the following five installation methods according to the camera to be installed. For the cables connected to camera, please refer to the operating instructions of camera.

#### ■ When mounting an outdoor dome type camera

- Ⓐ Mount the camera by using this product with WV-QWL501-W and WV-QSR501-W.
- Ⓑ Mount the camera by using this product and WV-QWL500-W.
- Ⓒ Mount the camera by using this product with WV-QWL500-W and WV-QJB500-W.

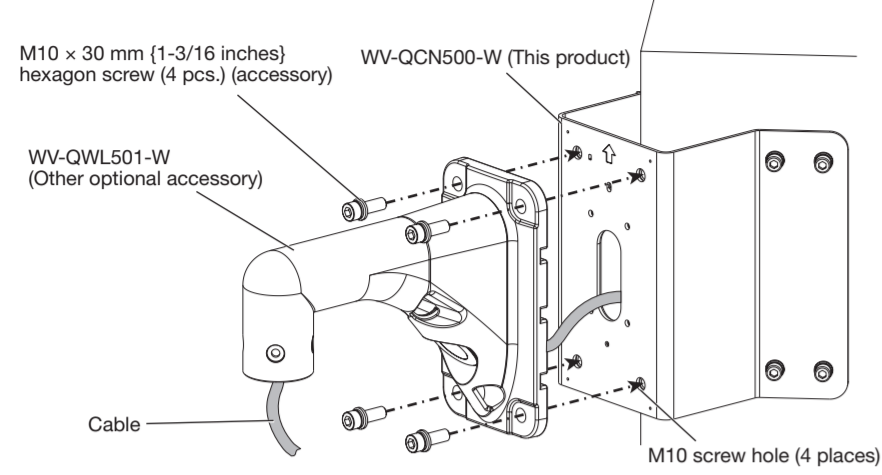
#### ■ When mounting an outdoor box type camera

- Ⓓ Directly mount the camera to this product.
- Ⓔ Mount the camera by using this product and WV-QJB500-W.

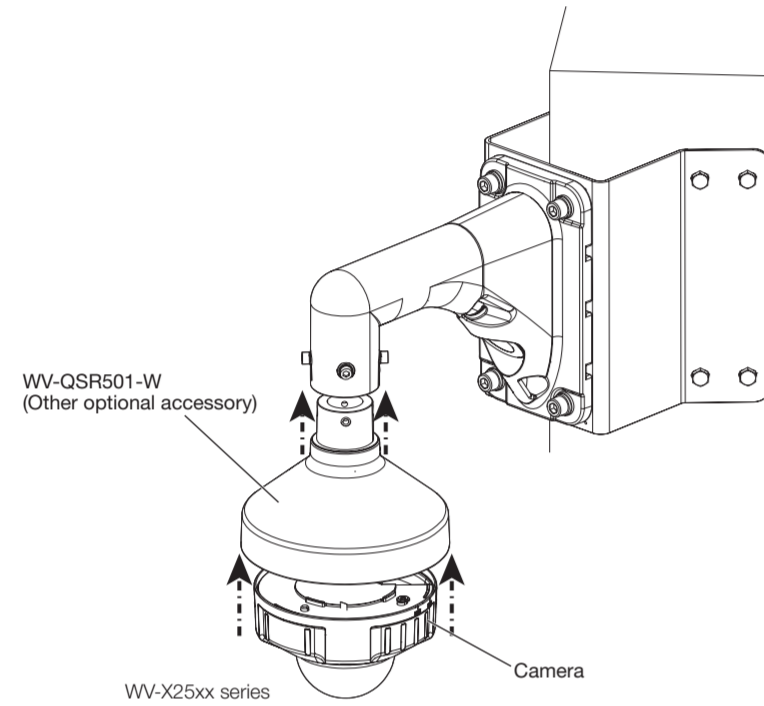
As for the mounting steps from Ⓐ to Ⓔ, refer to the back side of this document and the operating instructions of each bracket and camera.

**A Install the camera by using this product with Wall Mount Bracket (WV-QWL501-W) and Mount Bracket (WV-QSR501-W).**

- Pass the cable coming from this product through WV-QWL501-W.
- Adjust the hole of WV-QWL501-W (4 places) to the M10 screw holes (4 places) and then fix them with the M10 × 30 mm {1-3/16 inches} hexagon screws (4 pcs.) (accessories). (Recommended tightening torque: 10.8 N-m {7.97 lbf-ft})

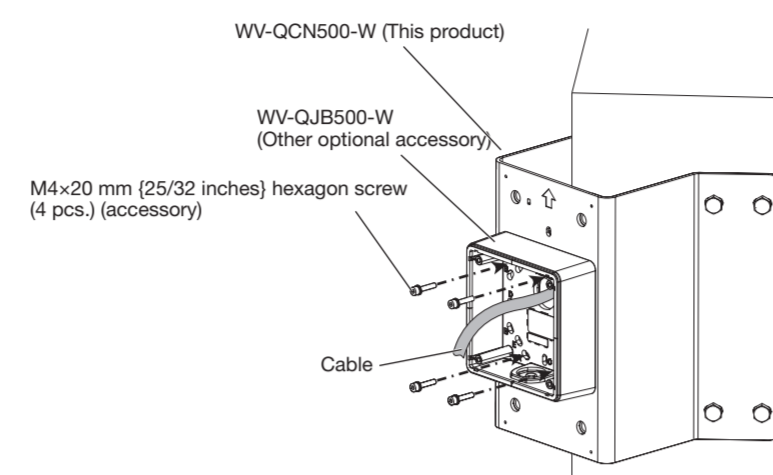


- As described in the operating instructions of WV-QSR501-W and the camera, install WV-QSR501-W and the camera to the WV-QWL501-W. For the details about the connection of the cable and waterproofing, refer to the operating instructions of the camera.

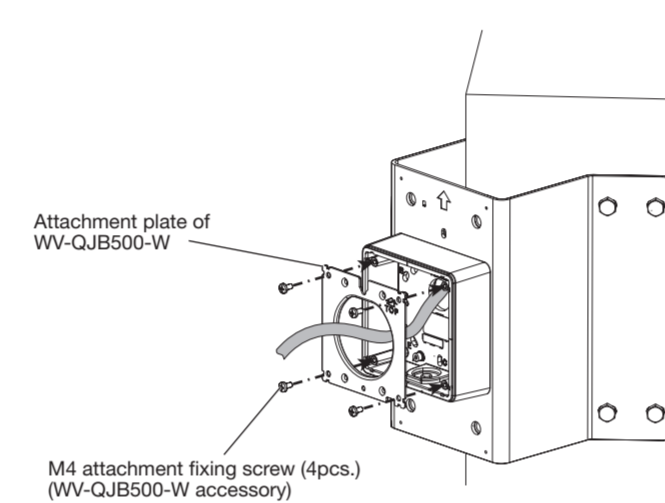


**C Install the camera by using this product with Wall Mount Bracket (WV-QWL500-W) and Adapter Box (WV-QJB500-W).**

- Pass the cable coming from this product through the base bracket of WV-QJB500-W and fix the base bracket of WV-QJB500-W by using M4×20 mm {25/32 inches} hexagon screws (4 pcs.) (accessory). (Recommended tightening torque: 1.37 N-m {1.01 lbf-ft})

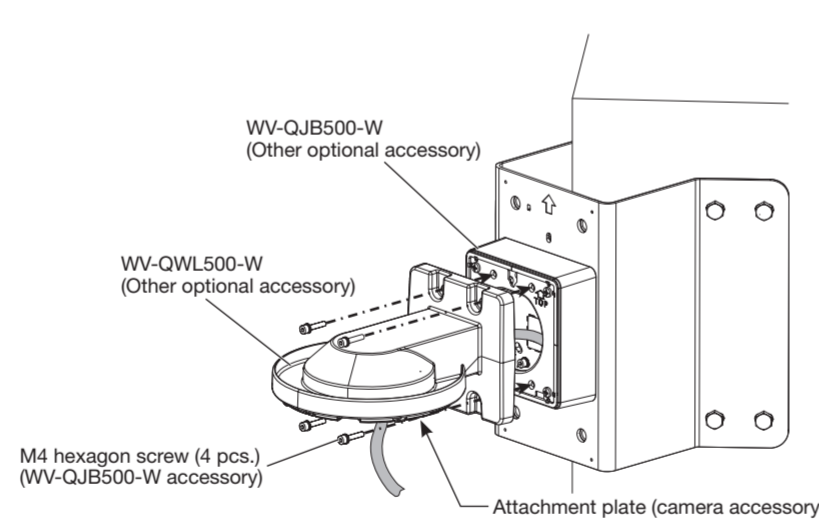


- Install the attachment plate of WV-QJB500-W as described in the operating instructions of WV-QJB500-W. (Recommended tightening torque: 1.37 N-m {1.01 lbf-ft})



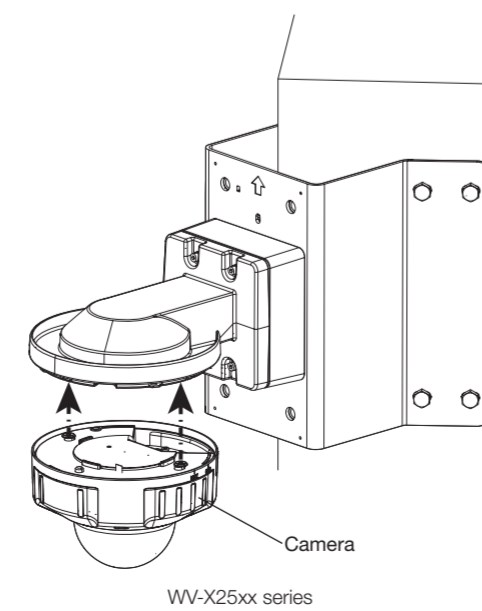
- As described in the operating instructions of WV-QJB500-W and WV-QWL500-W, install WV-QWL500-W to WV-QJB500-W with M4 hexagon screws (4 pcs.) (WV-QJB500-W accessory).

\* Before attaching WV-QWL500-W to WV-QJB500-W, install the attachment plate (camera accessory) to WV-QWL500-W with an attachment fixing screw (WV-QWL500-W accessory). Refer to the operating instructions of WV-QWL500-W for preparations in advance. (Recommended tightening torque: 1.37 N-m {1.01 lbf-ft})



- Connect the cable to the camera and then install the camera. For details about the connection of the cable, the installation of the camera, waterproofing, etc. refer to the operating instructions of WV-QWL500-W and the camera.

<Example of installation>



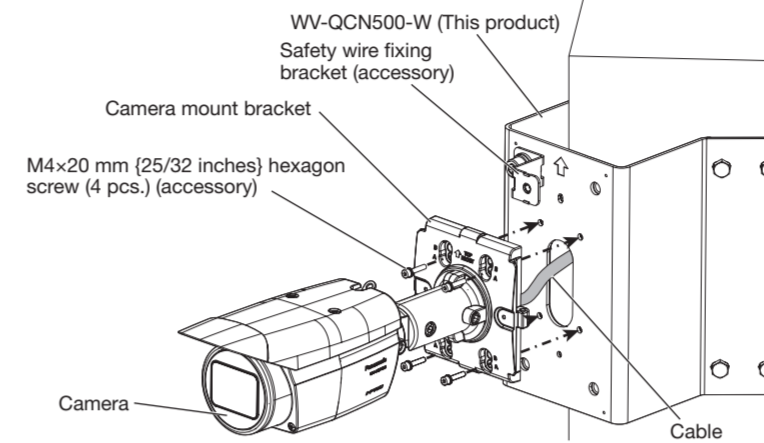
**D Directly attach the camera to this product.**

**<In case of the camera with a square shaped camera mount bracket and a safety wire>**

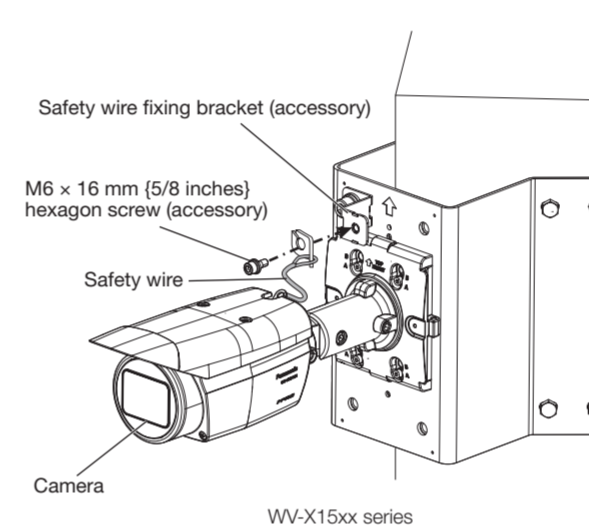
For details about how to install the safety wire fixing bracket, refer to "■ When the camera is directly attached to this product and the camera equipped with a safety wire."

- Connect the cable coming from this product to the camera. For details about the connection and waterproofing, refer to the operating instructions of the camera.
- Align the four installation holes of camera mount bracket with the M4 screw holes (4 places) of this product, and fix the camera with M4 × 20 mm {25/32 inches} hexagon screws (4 pcs.) (accessory). (Recommended tightening torque: 1.37 N-m {1.01 lbf-ft})

For the fixing of camera and installation of camera mount bracket cover (accessory attached with the camera), please refer to the operating instructions of the camera.

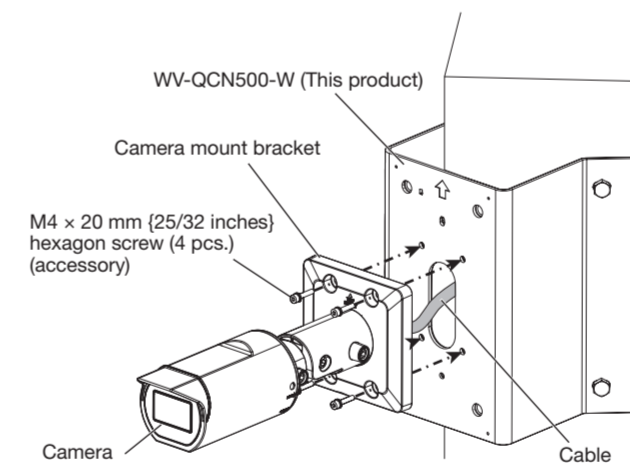


- Use one M6 × 16 mm {5/8 inches} hexagon screw (accessory) to fix the safety wire of the camera onto the safety wire fixing bracket (accessory). (Recommended tightening torque: 2.45 N-m {1.81 lbf-ft})

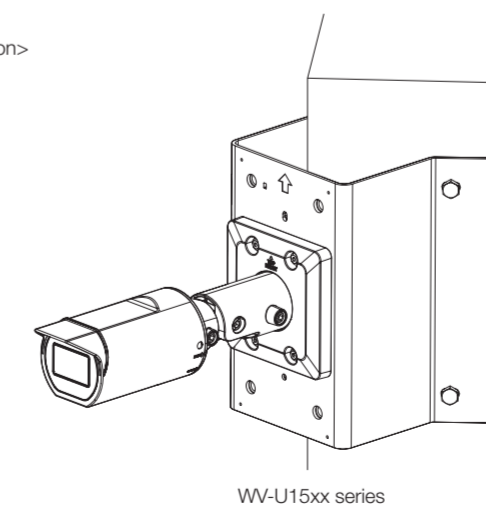


**<In case of the camera without a safety wire>**

- Connect the cable coming from this product to the camera. For details about the connection and waterproofing, refer to the operating instructions of the camera.
- Align the four installation holes of camera mount bracket with the M4 screw holes (4 places) of this product, and fix the camera with M4 × 20 mm {25/32 inches} hexagon screws (4 pcs.) (accessory). (Recommended tightening torque: 1.37 N-m {1.01 lbf-ft})

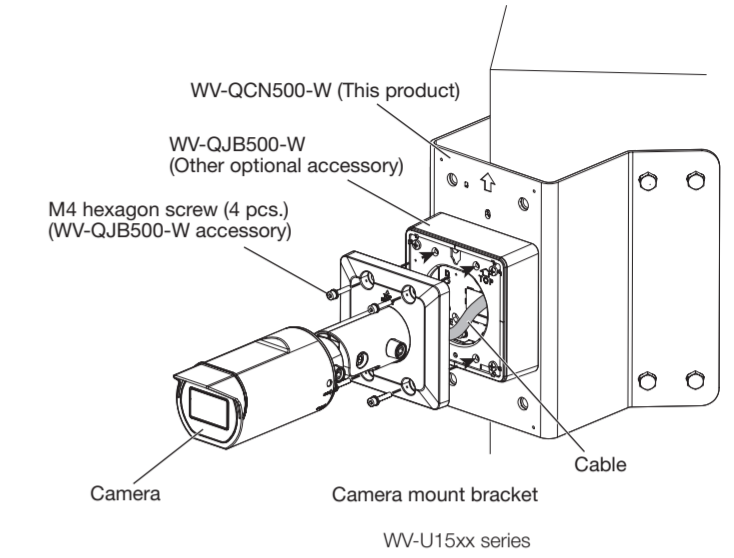


<Example of installation>



**E Install the camera by using this product and Adapter Box (WV-QJB500-W).**

- By referring to steps ① and ② of the procedure C, attach WV-QJB500-W to this product.
- As described in the operating instructions of the camera and WV-QJB500-W, connect the cable to the camera.
- Align the four installation holes of camera mount bracket with the M4 screw holes (4 places) of WV-QJB500-W, and fix the camera with M4 hexagon screws (4 pcs.) (WV-QJB500-W accessory). (Recommended tightening torque: 1.37 N-m {1.01 lbf-ft})



WV-U15xx series