

iDS-2PT9A144MXS-D/T2(1352/6) PanoVu PT Series 4MP + 4MP Target Capture Camera



Hikvision iDS-2PT9A144MXS-D/T2 (1352/6) PanoVu PT Series 4MP + 4MP Target Capture Camera is able to capture distant view images as well as close-up images with the integration design of distant view camera and tracking PTZ camera.

This series of camera can be widely used in the scenes where wide monitoring range and high definition are required, such as the entrance/exit, airport, port, wharf, reservoir, square, park, scenic spot, and station, etc.

Panoramic Camera

- 1/1.8" progressive scan CMOS
- Up to 2560 × 1440 resolution
- Horizontal field of view: 54°
- **Min. illumination:**
Color: 0.002 Lux@(F1.0, AGC ON),
B/W: 0.0005 Lux@(F1.0, AGC ON)
0 Lux with white light

Tracking PTZ Camera

- 1/1.8" progressive scan CMOS
- Up to 2560 × 1440 resolution
- Horizontal field of view: 32° to 8°
- Pan and tilt range: 0° to 210° (Pan), -15° to 22° (Tilt)
- **Min. illumination:**
Color: 0.0035 Lux@(F1.6, AGC ON)
0 Lux with supplement light
- 4 × optical zoom, 16× digital zoom



Specification

System and Intelligence	
Multi-Target-Type Detection	Both camera channels support detecting and capturing human face and body. The panoramic camera channel provides additional vehicle detection and capture.
Detection Distance	Human body: 40 m; face: 30 m; vehicle: 15 m
Calibration	Manual/Auto
Face Capture	Supports detecting, tracking, capturing, grading faces, and outputs qualified face pictures. Up to 30 faces can be detected simultaneously.
Face Comparison	Yes
Panoramic Camera	
Image Sensor	1/1.8" Progressive Scan CMOS
Min. Illumination	Color: 0.002 Lux@(F1.0, AGC ON), B/W: 0.0005 Lux@(F1.0, AGC ON), 0 Lux with white light
Focal Length	6 mm
Aperture	F1.0
Field of View	Horizontal FOV 54°, vertical FOV 29°, diagonal FOV 63°
S/N Ratio	≥ 55 dB
3D DNR	Yes
White Light	Warm white light, up to 15 m for vehicle
Smart Image Enhancement	120 dB WDR, Defog, HLC, EIS, Smart Supplement Light, BLC
Event Detection	Motion Detection, Video Tampering Detection, Scene Change Detection, Alarm Input, Alarm Output, HDD Full, HDD Error, Network Disconnected, IP Address Conflicted, Illegal Login
Video Compression	H.265+/H.265/H.264+/H.264/MJPEG
H.264 Type	Basic Profile/Main Profile/High Profile
Main Stream Resolution	50Hz: 25fps (2560 × 1440, 1920 × 1080, 1280 × 960, 1280 × 720) 60Hz: 30fps (2560 × 1440, 1920 × 1080, 1280 × 960, 1280 × 720)
Sub-Stream Resolution	50Hz: 25fps (704 × 576, 640 × 480, 352 × 288) 60Hz: 30fps (704 × 480, 640 × 480, 352 × 240)
Third Stream Resolution	50Hz: 25fps (1920 × 1080, 1280 × 960, 1280 × 720, 704 × 576, 640 × 480, 352 × 288) 60Hz: 30fps (1920 × 1080, 1280 × 960, 1280 × 720, 704 × 480, 640 × 480, 352 × 240)
Tracking PTZ Camera	
Image Sensor	1/1.8" Progressive Scan CMOS
Min. Illumination	Color: 0.0035 Lux@(F1.6, AGC ON), 0 Lux with supplement light
S/N Ratio	≥ 55 dB
3D DNR	Yes
Supplement Light	Distance: up to 30 m for human face; up to 40 m for human body. Adjusted automatically according to scenes to prevent overexposure
Smart Image Enhancement	120 dB WDR, Defog, HLC, EIS, Smart Supplement Light, BLC
Focal Length	13 mm to 52 mm, 4 × optical zoom
Zoom Speed	Approx.1.8 s (optical wide-tele)
Field of View (wide- tele)	Horizontal FOV 32° to 8°, vertical FOV 18° to 4.5°, diagonal FOV 37° to 9°
Min. Working Distance	10 mm to 1500 mm (wide-tele)
Aperture Range	F1.6
Pan and Tilt Range	Pan: 0° to 210°, tilt: -15° to 22°
Pan and Tilt Speed	Pan Manual Speed: 0.1°/s to 200°/s (Configurable), Pan Preset Speed: 300°/s Tilt Manual Speed: 0.1°/s to 120°/s (Configurable), Tilt Preset Speed: 120°/s
Preset Number	300
Patrol	8 patrols, up to 32 presets per patrol
Park Action	Preset/Patrol Scan
Scheduled Task	Preset/Patrol Scan/Dome Reboot/Dome Adjust/Aux Output
Power-off Memory	Yes
Video Compression	H.265+/H.265/H.264+/H.264/MJPEG
H.264 Type	Basic Profile/Main Profile/High Profile

Main Stream Resolution	50Hz: 25fps (2560 × 1440, 1920 × 1080, 1280 × 960, 1280 × 720) 60Hz: 30fps (2560 × 1440, 1920 × 1080, 1280 × 960, 1280 × 720)
Sub-Stream Resolution	50Hz: 25fps (704 × 576, 640 × 480, 352 × 288) 60Hz: 30fps (704 × 480, 640 × 480, 352 × 240)
Third Stream Resolution	50Hz: 25fps (1920 × 1080, 1280 × 960, 1280 × 720, 704 × 576, 640 × 480, 352 × 288) 60Hz: 30fps (1920 × 1080, 1280 × 960, 1280 × 720, 704 × 480, 640 × 480, 352 × 240)
Audio Compression	G.711alaw/G.711ulaw/G.722.1/G.726/MP2L2
Network	
Protocols	IPv4/IPv6, HTTP, HTTPS, 802.1x, Qos, FTP, SMTP, UPnP, SNMP, DNS, DDNS, NTP, RTSP, RTCP, RTP, TCP/IP, UDP, IGMP, ICMP, DHCP, PPPoE, Bonjour, iSUP
API	ONVIF (Profile S, Profile G, Profile T), ISAPI, SDK, Ehome, Hik-Connect
Simultaneous Live View	Up to 20 channels
Network Storage	Built-in memory card slot, support microSD/microSDHC/microSDXC (up to 256 GB)
Security Measures	User authentication (ID and PW), Host authentication (MAC address); HTTPS encryption; IEEE 802.1x port-based network access control; IP address filtering
Client	iVMS-4200
Web Browser	IE 8-11, Firefox 30+, Chrome 41+, Safari 11+
Interface	
Network Interface	1 RJ45 10 M/100 M/1000 M self-adaptive Ethernet Interface
Alarm Input/ Output	1-ch alarm input and 1-ch alarm output, support alarm linkage: Memory Card Recording/Alarm Output/Notify Surveillance Center/Upload to FTP/Send Email
Audio Input/ Output	1-ch audio input, 2.0 to 2.4Vp-p, 1k Ohm±10% 1-ch audio output, line level, impedance: 600Ω
General	
Power Supply	36 VDC ± 25%, two core terminal block
Power Consumption	Max. 60 W (including max. 6 W for panorama channel illuminator, max. 7.8 W for PTZ channel illuminator, max. 10 W for heater)
Working Temperature	Outdoor: -40°C to 70°C (-40°F to 158°F)
Working Humidity	≤ 90%
Demist	Yes
Protection Level	IP66 Standard, Lightning Protection, Surge Protection and Voltage Transient Protection, ±6kV Line to Gnd, ±3kV Line to Line, IEC61000-4-5
Material	Aluminum alloy ADC12, PC, PC + ABS, PC + 10%gf
Dimension	230 mm × 277 mm × 470 mm (9.06" × 10.91" × 18.5")
Weight	Approx. 4.9 kg (10.8 lb.) for camera, 2.9 kg (6.39 lb.) for included wall mount, 7.8 kg (16.53 lb.) in total

DORI (Tracking PTZ Camera)

The DORI (detect, observe, recognize, identify) distance gives the general idea of the camera ability to distinguish persons or objects within its field of view.

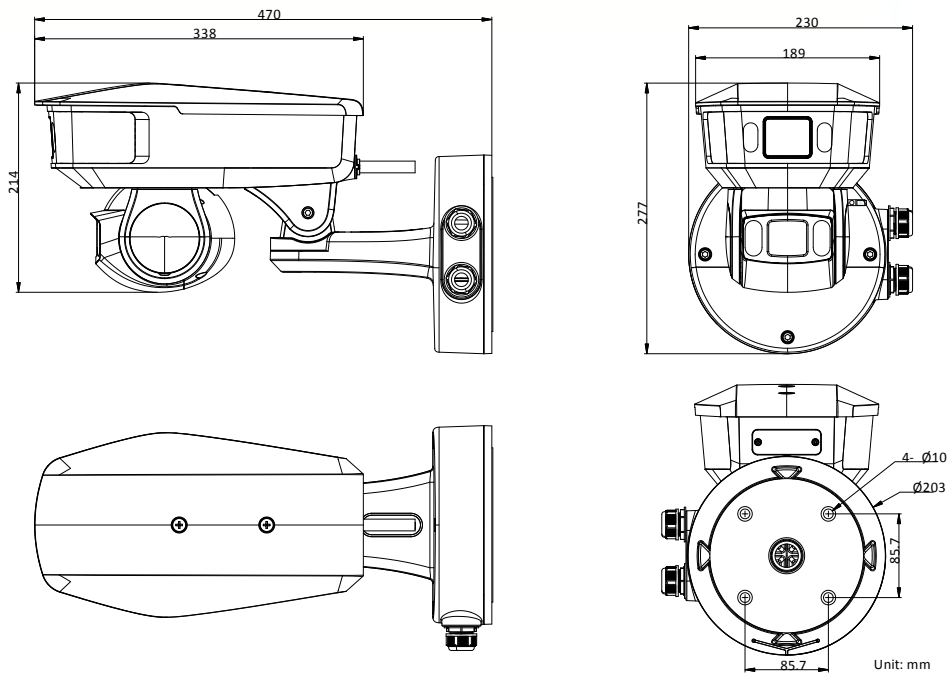
It is calculated based on the camera sensor specification and the criteria given by EN 62676-4: 2015.

DORI	Detect	Observe	Recognize	Identify
Definition	25 px/m	63 px/m	125 px/m	250 px/m
Distance (Tele)	758.6 m (2488.8 ft)	301.0 m (987.5 ft)	151.7 m (497.7 ft)	75.9 m (249 ft)

Available Model

iDS-2PT9A144MXS-D/T2 (1352/6)

Dimension



Accessory

Included



DS-2601ZJ-P
Wall Mount

Optional



DS-2665ZJ-Pole-P
Base Mount + Horizontal Pole Mount



DS-2664ZJ-P
Pendant Mount



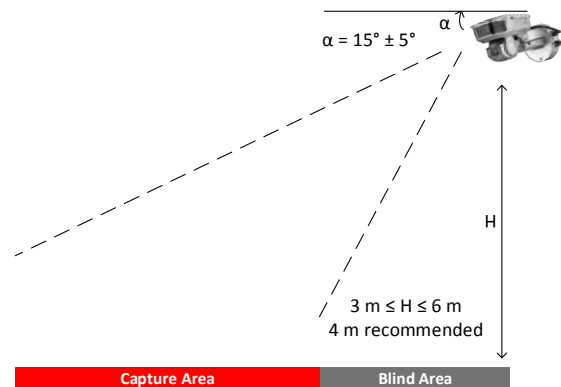
DS-2115ZJ-P
Vertical Pole Mount



DS-2FA3616-DZ-HW
Power Adapter

Installation Recommendation

Tilt angle and mounting height influence the result and accuracy of detections. Recommended tilt angle (α) and mounting height (H) are show in the figure on the right.



Distributed by

**HIKVISION®****Headquarters**

No.555 Qianmo Road, Binjiang District,
Hangzhou 310051, China
T +86-571-8807-5998
overseasbusiness@hikvision.com

Hikvision USA

T +1-909-895-0400
sales.usa@hikvision.com

Hikvision Australia

T +61-2-8599-4233
salesau@hikvision.com

Hikvision India

T +91-22-28469900
sales@pramahikvision.com

Hikvision Canada

T +1-866-200-6690
sales.canada@hikvision.com

Hikvision Thailand

T +662-275-9949
sales.thailand@hikvision.com

Hikvision Europe

T +31-23-5542770
sales.eu@hikvision.com

Hikvision Italy

T +39-0438-6902
info.it@hikvision.com

Hikvision Brazil

T +55 11 3318-0050
Latam.support@hikvision.com

Hikvision Turkey

T +90 (216)521 7070- 7074
sales.tr@hikvision.com

Hikvision Malaysia

T +601-7652-2413
sales.my@hikvision.com

Hikvision UK & Ireland

T +01628-902140
sales.uk@hikvision.com

Hikvision South Africa

Tel: +27 (110) 0351172
sale.africa@hikvision.com

Hikvision France

T +33(0)1-85-330-450
info.fr@hikvision.com

Hikvision Kazakhstan

T +7-727-9730667
nikia.panfilov@hikvision.ru

Hikvision Vietnam

T +84-974270888
sales.vi@hikvision.com

Hikvision UAE

T +971-4-4432090
salesme@hikvision.com

Hikvision Singapore

T +65-6684-4718
sg@hikvision.com

Hikvision Spain

T +34-91-737-16-55
info.es@hikvision.com

Hikvision Tashkent

T +99-87-1238-9438
uzb@hikvision.ru

Hikvision Hong Kong

T +852-2151-1761
info.hk@hikvision.com

Hikvision Russia

T +7-495-669-57-99
saleru@hikvision.com

Hikvision Korea

T +82-(0)31-731-8817
sales.korea@hikvision.com

Hikvision Poland

T +48-22-460-01-50
info.pl@hikvision.com

Hikvision Indonesia

T +62-21-2933759
Sales.Indonesia@hikvision.com

Hikvision Colombia

sales.colombia@hikvision.com