

# SC-HLR01P

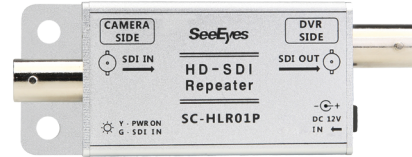
HD/EX-SDI Signal  
+ Power Repeater

SC-HLR01P is an HD-SDI repeater for extending the transmission distance of HD-SDI signal. This product not only extends HD-SDI signal transmission distance but also provide power to operate the camera, repeater and transmitter over one coaxial cable. It is a cost-effective and easy solution for maintaining HD-SDI site.

## Features

- Extend signal distance of HD-SDI, EX-SDI 1.0/2.0
- Multiple connection of Repeater for long distance transmission
- HD-SDI + Power transmission over one coax. cable
- Extend HD-SDI signal up to 200m (Full HD: 1.5G) / 100m (Full HD: 3G)  
※ Extend additional distance by EX-LINK compliant
- Compact and light-weight aluminum case
- Built-in surge protection circuit

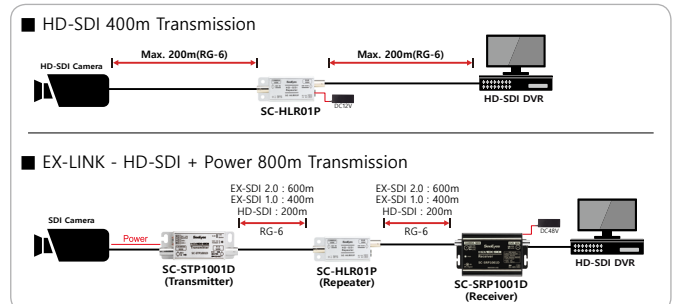
[ SC-HLR01P ]



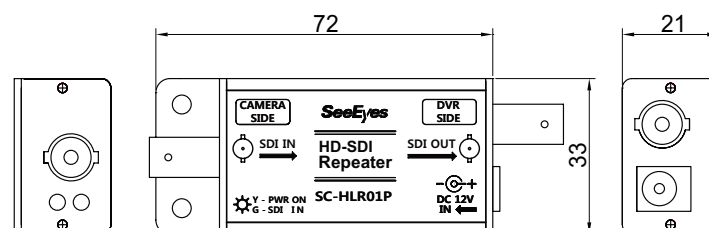
## Specifications

MODEL		SC-HLR01P	
Video In / Out		HD-SDI, EX-SDI 1.0, EX-SDI 2.0	
Input Power		DC12V~48V	
Power Consumption		DC12V / 2W	
Max. Transmission Distance (RG-6)		Full HD 1.5G : 200m, Full HD 3G : 100m EX-SDI 1.0 : 400m, EX-SDI 2.0 : 600m	
Connection Port		SDI In / Out	BNC-F(75Ω)
		Power Input	DC Jack
LED	SDI	Green	On : Signal In
	Power	Red	On : Power In
Temperature / Humidity		-10°C ~ +50°C / 0 ~ 80%	
Case Body / Weight		Aluminum / 100g	
Dimensions(mm)		72(W) x 33(H) x 21(D)	

## Application Diagram



## Dimensions



HD/EX-SDI TRANSMISSION