

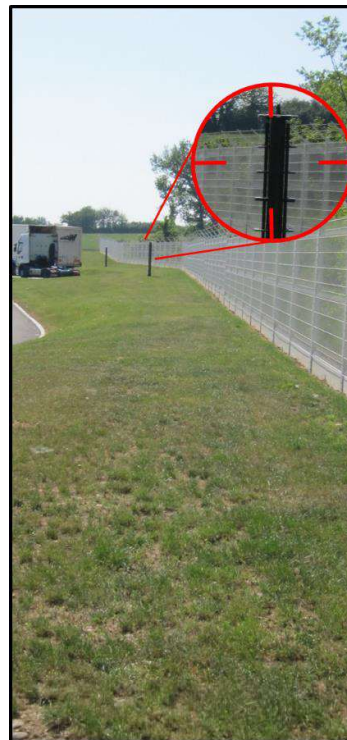
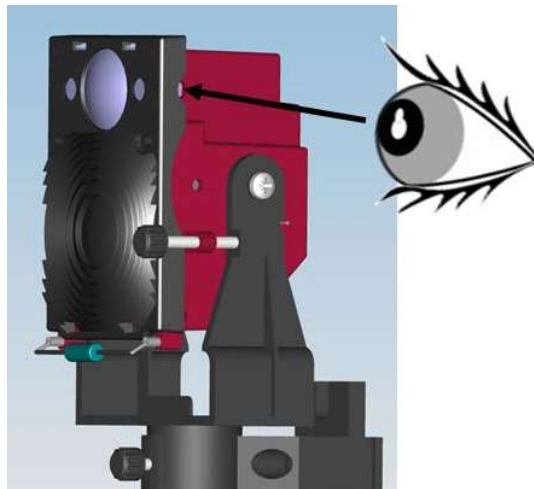


NEW INFRARED CELLS NCIS

In order to offer its customers the latest technological advances, SORHEA introduce from 1 February 2017, the brand new generation of infrared NCIS cell.

Advantages of the new cell:

- Improved operation in the fog
 - o With 50m of visibility we ensure 100m range
- Increased performance against weather phenomena
 - o Increased power
- No disturbance at sunrise and sunset
 - o New Signal Processing
- Better alignment comfort
 - o IR beam with a larger opening angle
 - o New optics with integrated and more efficient sighting system





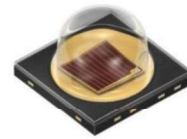
A new infrared LED:

Taking advantage of the latest technological advances, NCIS cells are equipped with LEDs coming from the nighttime CCTV illumination market. These LEDs are 100 times more powerful than the older generation LEDs. The new LEDs have a wider infrared beam-opening angle while being 100 times more powerful than the old ones. The signal dispersion in the infrared cone is less, facilitating the alignment of the cells.

Old LED



New LED

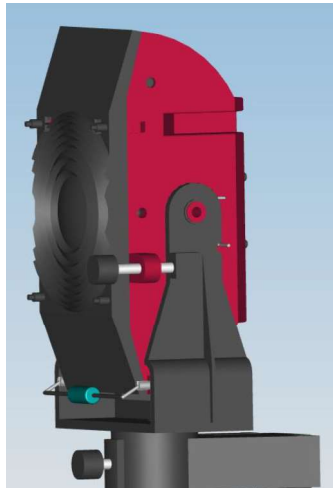


The new LEDs allow SORHEA to provide high-performance infrared barriers for the next 20 years.

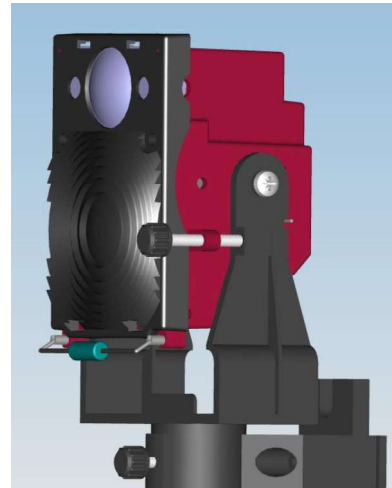
A new infrared NCIS cell:

To accompany the new IR LEDs, SORHEA has designed a brand new cell. Like the old one, the NCIS cell has the dual functionality Transmitter + Receiver. It differs by the presence of a single transmitter LED with lens optics.

Old Cell



New Cell



The power of the infrared signal transmitted by the NCIS cell is 3 times greater than the old one.



Products concerned:

The new infrared cell can be used with all SORHEA Infrared products except SOLARIS, which keeps its specific very low consumption cell.

Compatibility:

The new infrared cell is 100% retro compatible with the entire range of SORHEA infrared barriers, namely:

- UNIRIS II
- BIRIS II
- COLIRIS II
- MIRIS 3000/3100
- MAXIRIS 2000
- MAXIRIS 3000/3100/3200/3400
- APIRIS
- APIRIS 3100

After Sales Parts:

Because of its new design, an NCIS cell can not communicate with an older generation cell.

In case it is necessary to replace an old transmitter or receiver cell, it is mandatory to replace the full pair **Transmitter + Receiver**. This replacement will be done without cost increase for the customer (2 cells provided for the price of one)

Part Number :

- 80902001 : Batch of 2 bordeaux NCIS mixed cells TX+RX
Compatible products :
MAXIRIS 3000/3100
MIRIS 3000/3100
COLIRIS II 100/200
APIRIS 3100
Available from 15/02/2017
- 80902002 : Batch of 2 white NCIS mixed cells TX+RX
Compatible products :
COLIRIS II 50
Available from 01/04/2017
- 80902003 : Batch of 2 NCIS cells (1 TX + 1 RX)
Compatible products :
MAXIRIS 2000
APIRIS
Available from 01/04/2017