

### Installation Guide

#### Revision History:

Rev. 1.0: Initial release

#### Corresponding ordering part numbers:

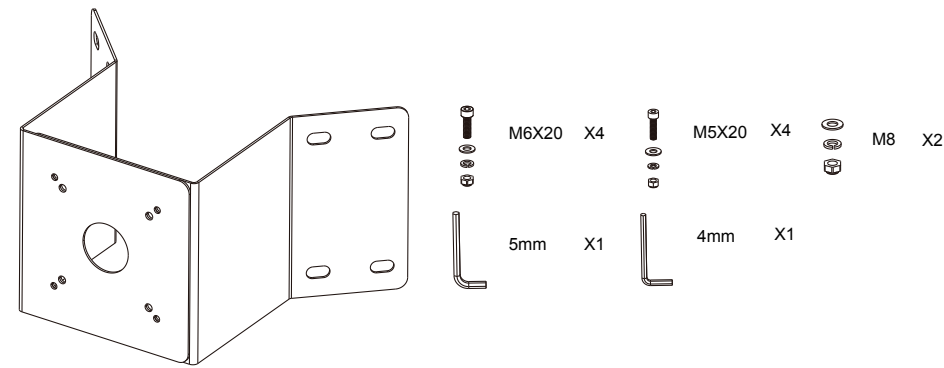
AM-412: 900034900G	AM-714: 100134800G
AM-715: 100134700G	AM-218: 100146100G

#### I Compatible VIVOTEK Cameras

Compatible accessories	Supported Cameras
AM-714	IB836B-HF3/6B-EHF3, IB836B-HT/6B-EHT, IB9371-HT/71-EHT, IB8382-F3/82-EF3, IB8382-T/82-ET, IB9381-HT/81-EHT, IB9371-HRT, IB9381-HRT
AM-715	IB8367/67-R, IB8367-T/67-RT, IB8338-H/38-HR
AM-218 (via AM-714)	Please refer to AM-218 documents.
Directly attached	Supported Cameras
*	IB836B-HF3/6B-EHF3, IB836B-HT/6B-EHT, IB9371-HT/71-EHT, IB8382-F3/82-EF3, IB8382-T/82-ET, IB9381-HT/81-EHT, IB9371-HRT, IB9381-HRT

\* The directly-attached configuration is less recommended for the lack of waterproof and cabling protection. If directly attached, you should properly wrap the rear-end cables and connectors with waterproof protection such as putties.

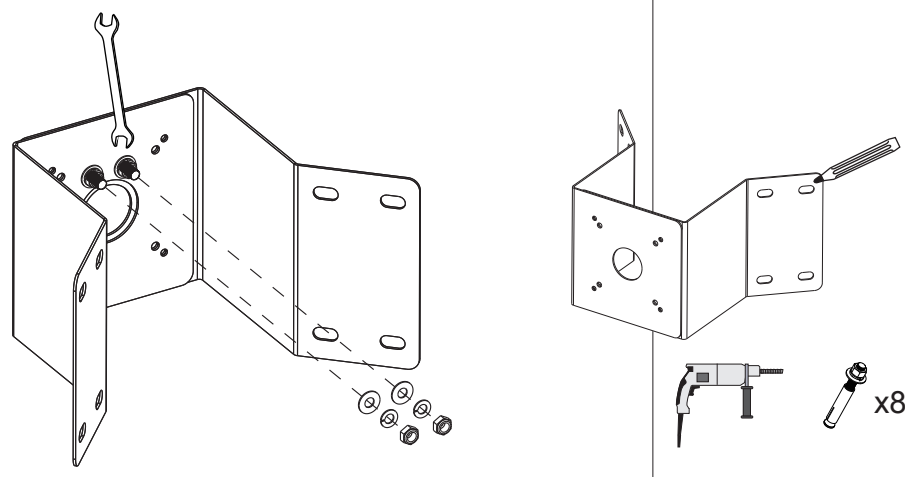
Package Contents	Items
	1. Corner mount bracket, 2. M6X20mm screws x4, 3. M5X20mm screws x4, 4. Hex L wrench 5mm x1, 5. Hex L wrench 4mm x1, 6. M9 nut x2.



#### III Installation

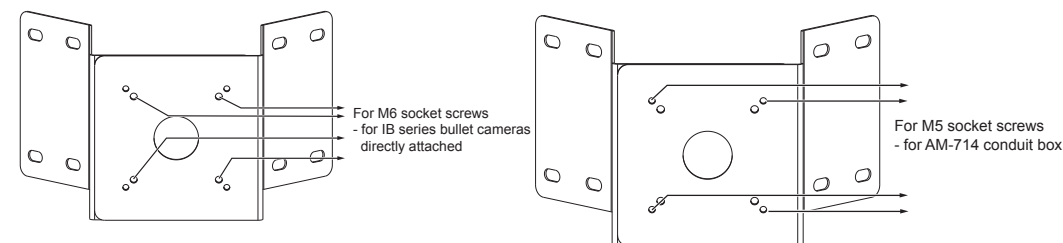
Below is a general, sample procedure using a Corner mount bracket:

- Combine the two metal pieces together using the M8 hex nuts and washers.
- Align the assembled brackets with the desired position. Align screw holes on the brackets against the wall. Drill holes on the wall for securing the bracket and for routing the cables. Hammer the anchors into the wall. Note that these screws and wall anchors are user-supplied.



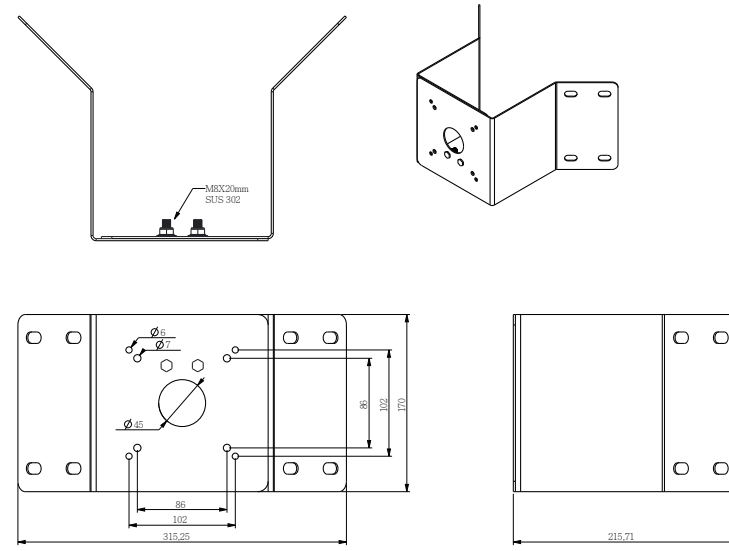
- The 4 screw holes in the center are used for directly mounting the IB series bullet cameras.

The 4 screw holes at the edges are used for mounting the AM-714 conduit box.

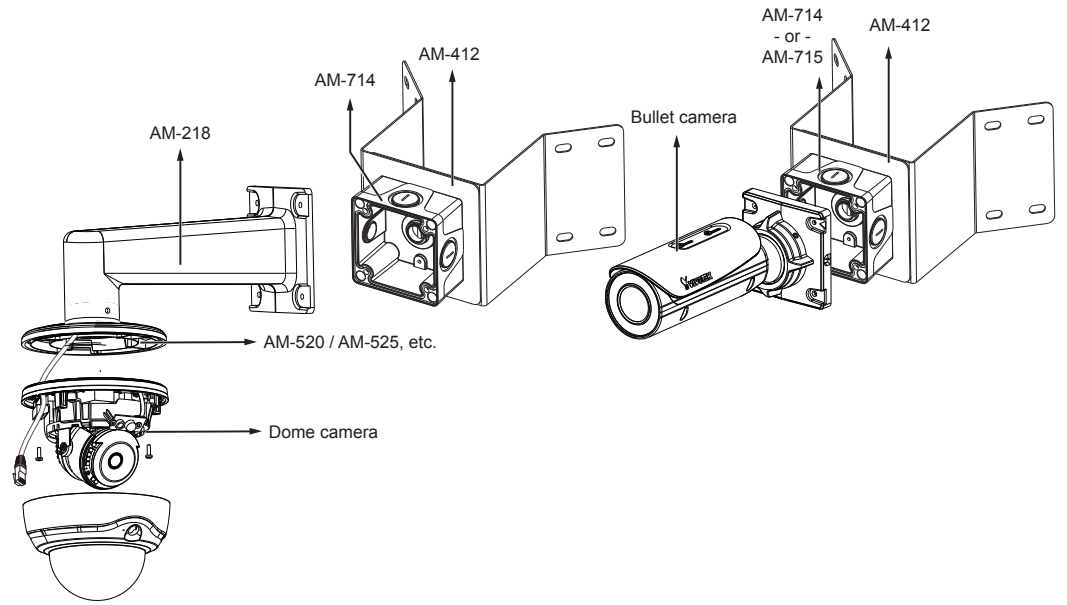


#### II Mechanical Drawings

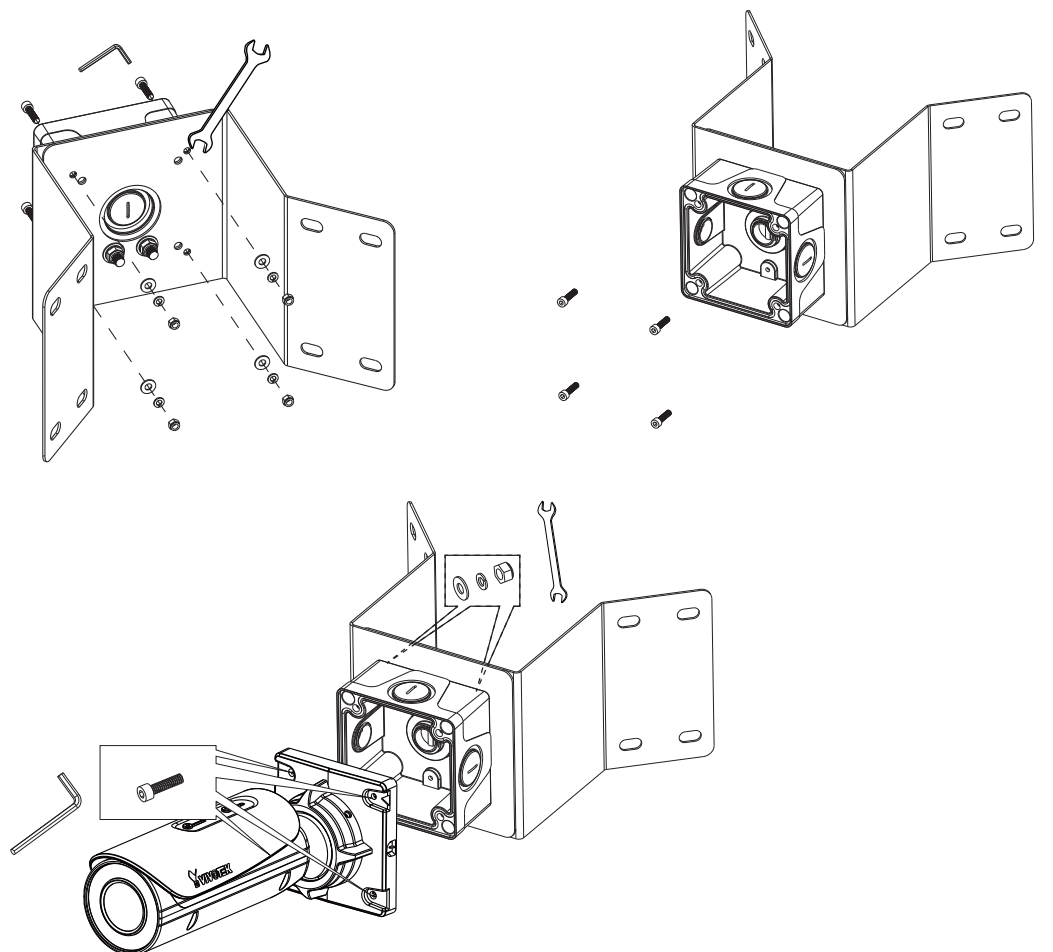
##### AM-412 Corner mount bracket



##### AM-412 Applications



- Secure the AM-714 conduit box to bracket using the M5 screws, washers, and hex heads. A hex crescent wrench is required.



- For the rest of the installation procedure, refer to the documentation that came with the AM-714, AM-715, AM-218, and the other accessories.

The 3/4" cable glands and conduits for protecting cables are user-supplied.



If you are installing a bullet camera directly to the bracket, use the M6 screws in the center. A hex crescent wrench is required.

