

DS-2CE56D8T-VPIT3ZE 2 MP Ultra-Low Light VF PoC Dome Camera



Key Features

- 2 MP high performance COMS
- Ultra-Low Light
- 1920 × 1080 resolution
- Auto focus, 2.8 mm to 12 mm motorized vari-focal lens
- 120 dB true WDR, 3D DNR
- EXIR 2.0, Smart IR , up to 40 m IR distance
- PoC.at
- IP67, IK8
- Up the Coax (HIKVISION-C)



Specification

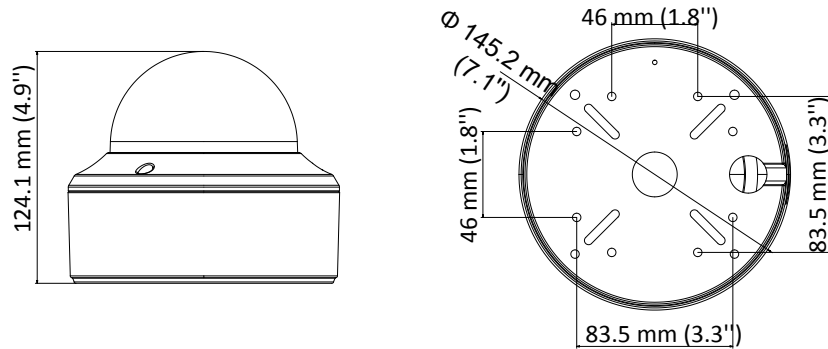
| Camera | |
|----------------------------------|--|
| Image Sensor | 2.0 megapixel progressive scan CMOS |
| Signal System | PAL/NTSC |
| Frame Rate | PAL: 1080p@25fps NTSC: 1080p@30fps |
| Resolution | 1920 (H) × 1080 (V) |
| Min. illumination | Color: 0.005 Lux @ (F1.2, AGC ON), 0 Lux with IR |
| Shutter Time | PAL: 1/25 s to 1/50, 000 s NTSC: 1/30 s to 1/50, 000 s |
| Slow Shutter | Max.: 16 times |
| Lens | 2.8 mm to 12 mm motorized vari-focal lens |
| Horizontal Field of View | 32.1° to 103° |
| Lens Mount | Φ14 |
| Day & Night | IR cut filter |
| Angle Adjustment | Pan: 0° to 340°, Tilt: 0° to 75°, Rotate: 0° to 355° |
| Synchronization | Internal synchronization |
| WDR (Wide Dynamic Range) | > 120 dB |
| Menu | |
| AGC | Support |
| Day/Night Mode | Auto/Color/BW (Black and White) |
| White Balance | ATW/MANUAL |
| Privacy Mask | ON/OFF, 4 programmable privacy masks |
| Motion Detection | 4 programmable motion areas |
| Backlight Compensation | WDR/BLC/HLC/OFF |
| 3D DNR (Digital Noise Reduction) | Level 1 to 10 |
| Language | English, Chinese |
| Functions | Brightness, Sharpness, Mirror, Smart IR |
| Interface | |
| Video Output | 1 HD analog output |
| General | |
| Operating Conditions | -40 °C to 60 °C (-40 °F to 140 °F), humidity: 90% or less (non-condensation) |
| Power Supply | 12 VDC ±25%/PoC.at -A: 12 VDC ±25%, 24 VDC ±25%/PoC.at |
| Power Consumption | Max. 7 W |
| Protection Level | IP67, IK8 |
| Material | Metal |
| IR Range | Up to 40 m |
| Communication | Up the coax, Protocol: HIKVISION-C (TVI output) |
| Dimensions | Φ 145.2 mm × 124.1 mm (Φ 5.72" × 4.89") |
| Weight | Approx. 1600 g (3.53 lb.) |

Order Models

DS-2CE56D8T-VPIT3ZE

* PoC function is only available when cooperating with DS-1TPXXX.

Dimension



Accessory



DS-1273ZJ-140
Wall Mounting Bracket



DS-1275ZJ
Vertical Pole Mounting Bracket



DS-1276ZJ
Corner Mounting Bracket



DS-1271ZJ-140
Pendant Mounting Bracket



DS-1273ZJ-140B
Wall Mounting Bracket



DS-1241ZJ
In-ceiling Mounting Bracket



DS-1240ZJ
Inclined Ceiling Mounting Bracket

Distributed by



HIKVISION™

Headquarters

No.555 Qianmo Road, Binjiang District,
Hangzhou 310051, China
T +86-571-8807-5998
overseasbusiness@hikvision.com

Hikvision USA
T +1-909-895-0400
sales.usa@hikvision.com

Hikvision Italy
T +39-0438-6902
info.it@hikvision.com

Hikvision Singapore
T +65-6684-4718
sg@hikvision.com

Hikvision Africa
T +27 (0) 0351172
sale.africa@hikvision.com

Hikvision Europe
T +31-23-55-42-770
info.eu@hikvision.com

Hikvision France
T +33(0)1-85-330-450
info.fr@hikvision.com

Hikvision Oceania
T +61-2-8599-4233
salesau@hikvision.com

Hikvision Hong Kong
T +852-2151-1761

Hikvision Middle East
T +971-4-8816086
salesme@hikvision.com

Hikvision Spain
T +34-91-737-16-55
info.es@hikvision.com

Hikvision Canada
T +1-909-895-0400
sales.usa@hikvision.com

Hikvision Russia
T +7-495-669-67-99
saleru@hikvision.com

Hikvision Poland
T +48-22-460-01-50
poland@hikvision.com

Hikvision Korea
T +82-31-731-8841
sales.korea@hikvision.com

Hikvision India
T +91-22-28469900
sales@pramahikvision.com

Hikvision UK
T +01628-902140
support.uk@hikvision.com

Hikvision Brazil
T +55 11 3318-0050
Latam.support@hikvision.com