

MV-PD030001-01**Under Vehicle Surveillance System(Fixed Type)**

MV-PD030001-01 under vehicle surveillance system (fixed type) is an information management system which integrates with automatic collection of underlying vehicle image, display and storage function. Through accurate real-time scanning of underlying vehicle image, synchronous displaying the broad and full image of vehicle bottom in the monitor and sorted storing on needs. This system can effectively prevent car bomb, hidden weapons, biochemical dangerous goods, and dangerous people enter & exit important places. This UVSS improve the detection speed, accuracy and security level, meanwhile human resources and capital investment have been cut in the future.

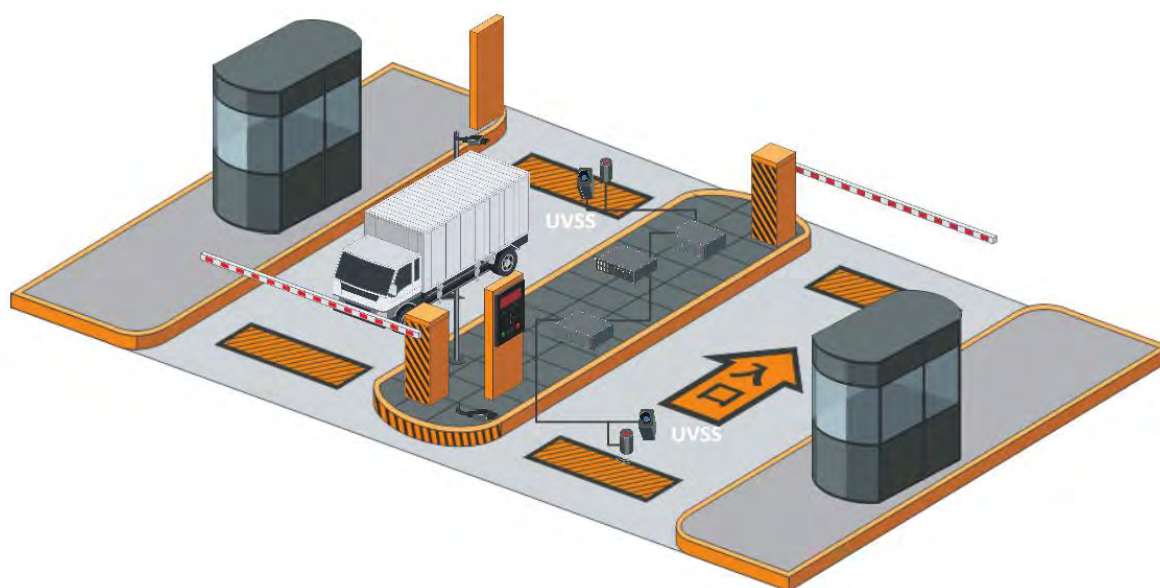
Key Features

- 2048 *16800 resolution (max), support multiple pictures tiled display.
- Matching high speed and non-uniform movement, having no motion blur.
- FOV 180°, designed for distortion optimization.
- Image acquisition method: automatic trigger by sense coil.
- Design for waterproof, anti-fog, anti-corrosion. It can afford the rolling of heavy vehicle.
- Professional illumination design, especially designed for optimize vehicle bottom application environment.
- Accessible to hikvision platform, support ANPR, customize client's requirement flexibly.
- Compatible with GigE Vision protocol, accessible to third-party software platforms.



Application Scenarios

- Entrance and exit inspection of key areas for anti-terrorist. For instance: airport, prison, important material warehouse, oil depot, bank of reservoir area and so on.
- Entrance and exit inspection of key areas for security. For instance: government, army, public security organization, defense industry enterprise, embassies and consulates and so on.
- Passageway of customs border inspection.
- Parking entrance inspection.



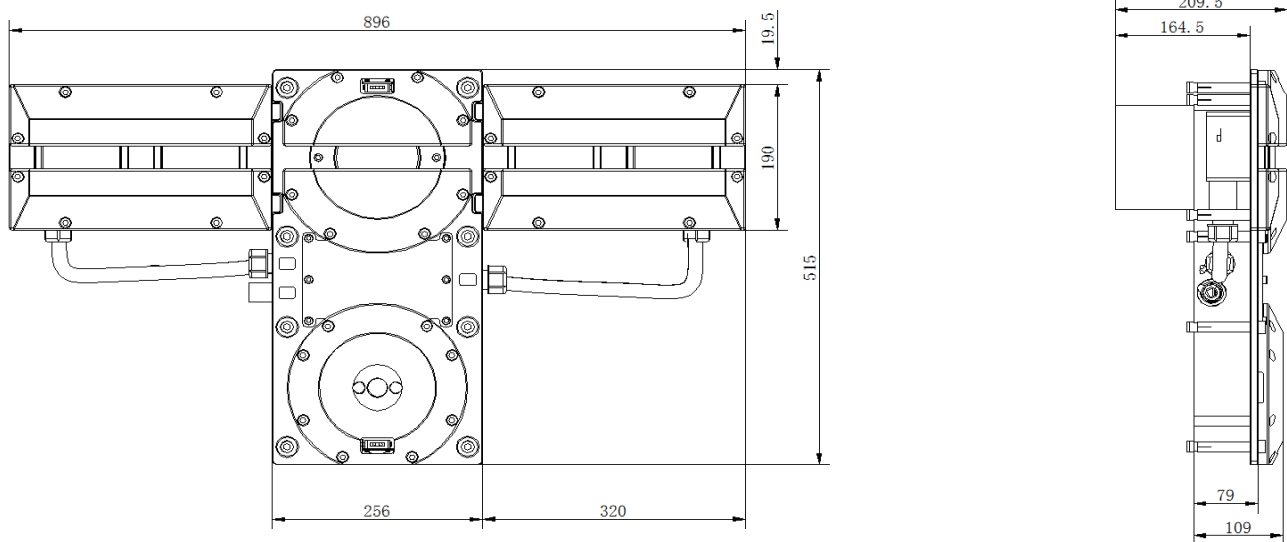
Specifications

Model	MV-PD030001-01
Parameters	Under Vehicle Surveillance System(Fixed Type)
Max.Resolution	2048*16800
Color	Colored picture by default
FOV	180°
Vehicle chassis width	≤4000 mm
Vehicle chassis height	≥60 mm
Detection speed	≤120Km/h
Picture format	JPEG
Power consumption	100-240V AC, ≤200W
Working temperature	-25°C~70°C
Protection level	IP68
Load-bearing	50 tones
OS	Windows 7

Order Models

MV-PD030001-01

Dimensions



Distributed by



Headquarters

No.555 Qianmo Road, Binjiang District,
Hangzhou 310051, China
T +86-571-8807-5998
overseasbusiness@hikvision.com

Hikvision USA
T +1-909-895-0400
sales.usa@hikvision.com

Hikvision Italy
T +39-0438-6902
info.it@hikvision.com

Hikvision Singapore
T +65-6684-4718
sg@hikvision.com

Hikvision Africa
T +27 (0) 0351172
sale.africa@hikvision.com

Hikvision Europe
T +31-23-55-42-770
info.eu@hikvision.com

Hikvision France
T +33(0)1-85-330-450
info.fr@hikvision.com

Hikvision Oceania
T +61-2-8599-4233
salesau@hikvision.com

Hikvision Hong Kong
T +852-2151-1761

Hikvision Middle East
T +971-4-8816086
salesme@hikvision.com

Hikvision Spain
T +34-91-737-16-55
Info.es@hikvision.com

Hikvision Canada
T +1-909-895-0400
sales.usa@hikvision.com

Hikvision Russia
T +7-495-669-67-99
saleru@hikvision.com

Hikvision Poland
T +48-22-460-01-50
poland@hikvision.com

Hikvision Korea
T +82-31-731-8841
sales.korea@hikvision.com

Hikvision India
T +91-22-28469900
sales@pramahikvision.com

Hikvision UK
T +01628-902140
support.uk@hikvision.com

Hikvision Brazil
T +55 11 3318-0050
Latam.support@hikvision.com