

DS-2CD2T87G2-L

8 MP ColorVu Fixed Bullet Network Camera

## ColorVu



Hikvision ColorVu technology provides 24/7 vivid colorful images with F1.0 advanced lenses, high performance sensors and friendly lighting. F1.0 super-aperture collects more light to produce brighter images. Advanced sensor technology can vastly improve the utilization of available light. In zero-light scenarios, built-in, warm supplemental lighting works to guarantee colorful images.

- High quality imaging with 8 MP resolution
- Efficient H.265+ compression technology
- Clear imaging against strong back light due to 130 dB WDR technology
- Focusing on human and vehicle classification based on deep learning
- 24/7 colorful imaging



## ▪ Specification

| Camera                      |   |
|-----------------------------|---|
| Image Sensor                | 1/1.2" Progressive Scan CMOS  |
| Min. Illumination           | 0.0005 Lux @ (F1.0, AGC ON), 0 Lux with Light   |
| Shutter Speed               | 1/3 s to 1/100,000 s  |
| Slow Shutter                | Yes   |
| P/N                         | P/N   |
| Wide Dynamic Range          | 130 dB  |
| Angle Adjustment            | Pan: 0° to 360°, tilt: 0° to 90°, rotate: 0° to 360°  |
| Lens                        |   |
| Depth of Focus              | 2.8 mm: 4.5 m to ∞<br>4 mm: 7 m to ∞<br>6 mm: 13 m to ∞   |
| Lens Type & FOV             | 2.8 mm, horizontal FOV 102°, vertical FOV 52°, diagonal FOV 124°<br>4 mm, horizontal FOV 88°, vertical FOV 49°, diagonal FOV 102°<br>6 mm, horizontal FOV 54°, vertical FOV 30°, diagonal FOV 62° |
| Aperture                    | F1.0  |
| DORI                        |   |
| DORI                        | 2.8 mm, D: 96 m, O: 38 m, R: 19 m, I: 9 m<br>4 mm, D: 111 m, O: 44 m, R: 22 m, I: 11 m<br>6 mm, D: 167 m, O: 66 m, R: 33 m, I: 16m  |
| Illuminator                 |   |
| White Light Range           | 60 m  |
| Smart Supplement Light      | Yes   |
| Video                       |   |
| Max. Resolution             | 3840 × 2160   |
| Main Stream                 | 50Hz: 20 fps (3840 × 2160, 3072 × 1728)<br>25 fps (2688 × 1520, 1920 × 1080, 1280 × 720)<br>60Hz: 20 fps (3840 × 2160, 3072 × 1728)<br>30 fps (2688 × 1520, 1920 × 1080, 1280 × 720)              |
| Sub Stream                  | 50Hz: 25 fps (640 × 480, 640 × 360, 320 × 240)<br>60Hz: 30 fps (640 × 480, 640 × 360, 320 × 240)  |
| Third Stream                | 50Hz: 25 fps (1280 × 720, 640 × 480, 640 × 360, 320 × 240)<br>60Hz: 30 fps (1280 × 720, 640 × 480, 640 × 360, 320 × 240)  |
| Video Compression           | Main stream: H.265/H.264/H.264+/H.265+<br>Sub-stream: H.265/H.264/MJPEG<br>Third stream: H.265/H.264  |
| Video Bit Rate              | 32Kbps to 16Mbps  |
| H.264 Type                  | Baseline Profile/Main Profile/High Profile  |
| H.265 Type                  | Main Profile  |
| H.264+                      | Main Stream supports  |
| H.265+                      | Main Stream supports  |
| Bit Rate Control            | CBR/VBR   |
| Scalable Video Coding (SVC) | Yes   |

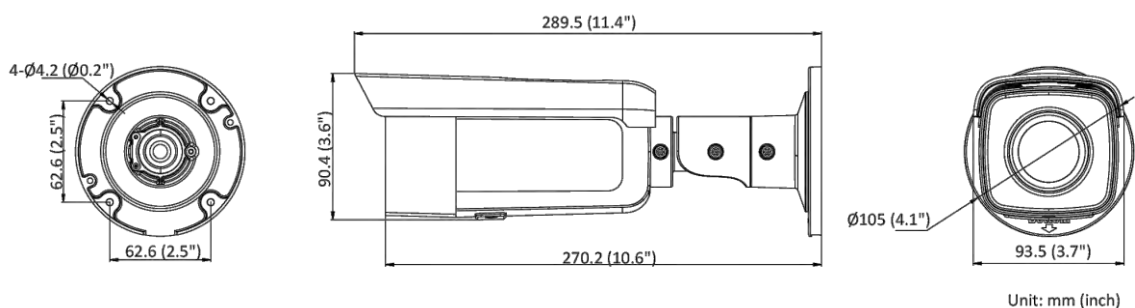
|                               |   |
|-------------------------------|---|
| Region of Interest (ROI)      | 1 fixed region for main stream and sub-stream   |
| <b>Network</b>                |   |
| Simultaneous Live View        | Up to 6 channels  |
| API                           | Open Network Video Interface (Profile S, Profile G), ISAPI, SDK   |
| Protocols                     | TCP/IP, ICMP, HTTP, HTTPS, FTP, DHCP, DNS, DDNS, RTP, RTSP, NTP, UPnP, SMTP, IGMP, 802.1X, QoS, IPv6, UDP, Bonjour, SSL/TLS, PPPoE, SNMP  |
| User/Host                     | Up to 32 users. 3 user levels: administrator, operator and user   |
| Security                      | Password protection, complicated password, HTTPS encryption, IP address filter, Security Audit Log, basic and digest authentication for HTTP/HTTPS, TLS 1.1/1.2, WSSE and digest authentication for Open Network Video Interface  |
| Network Storage               | MicroSD/SDHC/SDXC card (256 GB) local storage, and NAS (NFS, SMB/CIFS), auto network replenishment (ANR)  |
| Client                        | iVMS-4200, Hik-Connect, Hik-Central   |
| Web Browser                   | Plug-in required live view: IE 10, IE 11<br>Plug-in free live view : Chrome 57.0+, Firefox 52.0+<br>Local service: Chrome 57.0+, Firefox 52.0+  |
| <b>Image</b>                  |   |
| Day/Night Switch              | Day, Night, Auto, Schedule  |
| Image Enhancement             | BLC, HLC, 3D DNR  |
| Image Parameters Switch       | Yes   |
| Image Settings                | Rotate, mirror, privacy masks, saturation, brightness, contrast, sharpness, gain, white balance adjustable by client software or web browser  |
| <b>Interface</b>              |   |
| On-board Storage              | Built-in micro SD/SDHC/SDXC slot, up to 256 GB  |
| Hardware Reset                | Yes   |
| Communication Interface       | 1 RJ45 10 M/100 M self-adaptive Ethernet port   |
| <b>Event</b>                  |   |
| Basic Event                   | Motion detection (human and vehicle), video tampering alarm, exception (network disconnected, IP address conflict, illegal login, HDD full, HDD error)  |
| Smart Event                   | Scene change detection  |
| <b>Deep Learning Function</b> |   |
| Face Capture                  | Yes   |
| Premier Protection            | Line crossing detection, intrusion detection, region entrance detection, region exiting detection   |
| <b>General</b>                |   |
| Linkage Method                | Upload to FTP/memory card/NAS, notify surveillance center, trigger record, trigger capture, send email  |
| Web Client Language           | 33 languages<br>English, Russian, Estonian, Bulgarian, Hungarian, Greek, German, Italian, Czech, Slovak, French, Polish, Dutch, Portuguese, Spanish, Romanian, Danish, Swedish, Norwegian, Finnish, Croatian, Slovenian, Serbian, Turkish, Korean, Traditional Chinese, Thai, Vietnamese, Japanese, Latvian, Lithuanian, Portuguese (Brazil), Ukrainian |
| General Function              | Anti-flicker, heartbeat, password reset via e-mail, pixel counter   |
| Software Reset                | Yes   |
| Storage Conditions            | -30 °C to 60 °C (-22 °F to 140 °F). Humidity 95% or less (non-condensing)   |

|                                  |   |
|----------------------------------|---|
| Startup and Operating Conditions | -30 °C to 60 °C (-22 °F to 140 °F). Humidity 95% or less (non-condensing)   |
| Power Supply                     | 12 VDC $\pm$ 25%, reverse polarity protection<br>PoE: 802.3af, Class 3  |
| Power Consumption and Current    | 12 VDC, 0.7 A, max. 8.5 W<br>PoE (802.3af, 36 V to 57 V), 0.27 A to 0.17 A, max. 9.5 W  |
| Power Interface                  | $\varnothing$ 5.5 mm coaxial power plug   |
| Material                         | Front cover: metal, back cover: metal   |
| Camera Dimension                 | $\varnothing$ 105 $\times$ 289.5 mm ( $\varnothing$ 4.1" $\times$ 11.4")  |
| Package Dimension                | 385 $\times$ 190 $\times$ 180 mm (15.2" $\times$ 7.5" $\times$ 7.1")  |
| Camera Weight                    | Approx. 1260 g (2.8 lb.)  |
| With Package Weight              | Approx. 1931 g (4.3 lb.)  |
| <b>Approval</b>                  |   |
| Class                            | Class B   |
| EMC                              | FCC SDoC (47 CFR Part 15, Subpart B);<br>CE-EMC (EN 55032: 2015, EN 61000-3-2: 2014, EN 61000-3-3: 2013, EN 50130-4: 2011 +A1: 2014);<br>RCM (AS/NZS CISPR 32: 2015);<br>IC VoC (ICES-003: Issue 6, 2016) |
| Safety                           | UL (UL 60950-1);<br>CB (IEC 60950-1:2005 + Am 1:2009 + Am 2:2013, IEC 62368-1:2014);<br>CE-LVD (EN 60950-1:2005 + Am 1:2009 + Am 2:2013, IEC 62368-1:2014)  |
| Environment                      | CE-RoHS (2011/65/EU); WEEE (2012/19/EU); Reach (Regulation (EC) No 1907/2006)   |
| Protection                       | IP67 (IEC 60529-2013)   |

### ▪ Available Model

DS-2CD2T87G2-L (2.8/4/6 mm)

### ▪ Dimension



- Accessory
- Optional

| DS-1280ZJ-S<br>Junction Box   | DS-1275ZJ-S-SUS<br>Vertical Pole Mount  | DS-1260ZJ<br>Junction Box   |
|---|---|---|
|  |  |  |
|  |  |  |

Distributed by



## HIKVISION

### Headquarters

No.555 Qianmo Road, Binjiang District,  
Hangzhou 310051, China  
T +86-571-8807-5998  
overseasbusiness@hikvision.com

**Hikvision USA**  
T +1-909-895-0400  
sales.usa@hikvision.com

**Hikvision Australia**  
T +61-2-8599-4233  
salesau@hikvision.com

**Hikvision India**  
T +91-22-28469900  
sales@pramahikvision.com

**Hikvision Canada**  
T +1-866-200-6690  
sales.canada@hikvision.com

**Hikvision Thailand**  
T +662-275-9949  
sales.thailand@hikvision.com

**Hikvision Europe**  
T +31-23-5542770  
sales.eu@hikvision.com

**Hikvision Italy**  
T +39-0438-6902  
info.it@hikvision.com

**Hikvision Brazil**  
T +55 11 3318-0050  
Latam.support@hikvision.com

**Hikvision Turkey**  
T +90 (216)521 7070- 7074  
sales.tr@hikvision.com

**Hikvision Malaysia**  
T +601-7652-2413  
sales.my@hikvision.com

**Hikvision UK & Ireland**  
T +01628-902140  
sales.uk@hikvision.com

**Hikvision South Africa**  
Tel: +27 (10) 0351172  
sale.africa@hikvision.com

**Hikvision France**  
T +33(0)1-85-330-450  
info.fr@hikvision.com

**Hikvision Kazakhstan**  
T +7-727-9730667  
nikia.panfilov@hikvision.ru

**Hikvision Vietnam**  
T +84-974270888  
sales.vt@hikvision.com

**Hikvision UAE**  
T +971-4-4432090  
salesme@hikvision.com

**Hikvision Singapore**  
T +65-6684-4718  
sg@hikvision.com

**Hikvision Spain**  
T +34-91-737-16-55  
Info.es@hikvision.com

**Hikvision Tashkent**  
T +99-87-1238-9438  
uzb@hikvision.ru

**Hikvision Hong Kong**  
T +852-2151-1761  
info.hk@hikvision.com

**Hikvision Russia**  
T +7-495-669-67-99  
saleru@hikvision.com

**Hikvision Korea**  
T +82-(0)31-731-8817  
sales.korea@hikvision.com

**Hikvision Poland**  
T +48-22-460-01-50  
info.pl@hikvision.com

**Hikvision Indonesia**  
T +62-21-2933759  
Sales.Indonesia@hikvision.com

**Hikvision Colombia**  
sales.colombia@hikvision.com